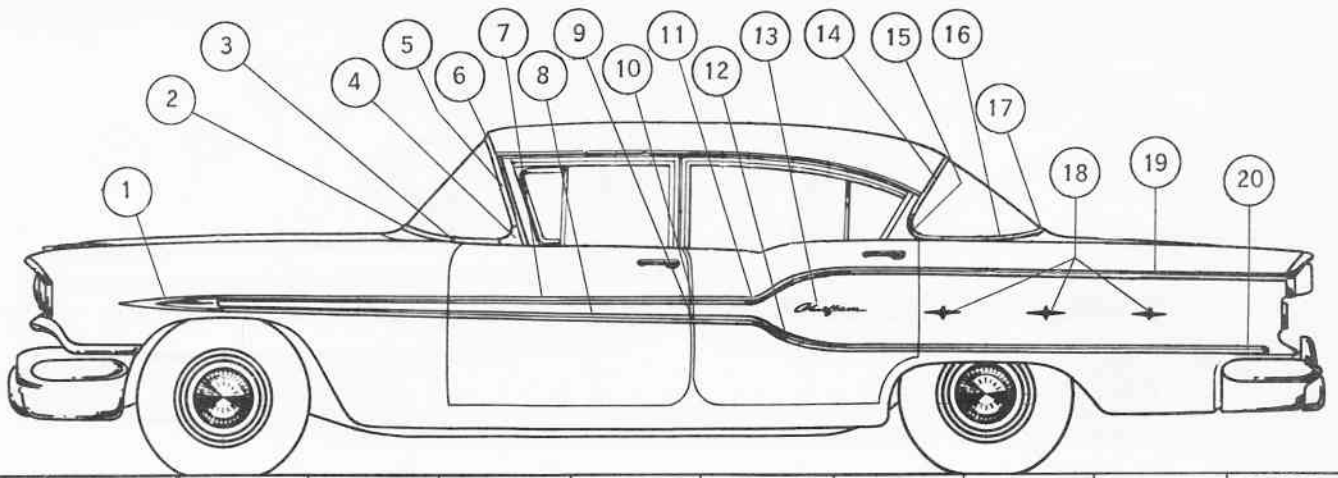


CODE	MOLDING NO.	BOLT & CLIP	BOLT	CLIP	SCREW	WASHER	NUT	SPACER	RETAINER	STUD & CLIP
------	-------------	-------------	------	------	-------	--------	-----	--------	----------	-------------

NUMBER PRECEDING ATTACHING PART NUMBER INDICATES QUANTITY REQUIRED PER CAR

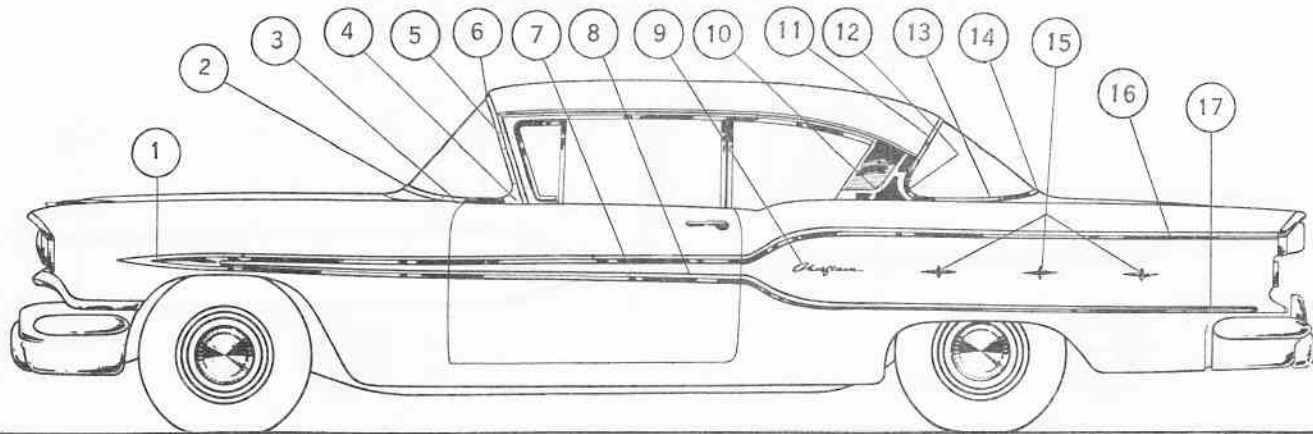
1	529960(R&L)						20-446059		2-524661	
									18-524908	
2	4715104 (E)									
3	4715306-07				2-442610					
4	4716604-05						2-4746617			
5	4715304-05									
6	4715104 (E)									
7	4721223-24			8-4724188	8-455308					
				20-4724146						
8	4721223-24			8-4724188	8-455308					
				20-4724146						
9	4719585-86	10-4722818					10-4644959			
				10-4724145						
10	4719593-94	10-4722818					10-4644959			
				10-4724146						
11	4723711(R&L)			14-4635016						
12	4716927			8-4657731						
13	4717366-67	4-4718714					4-271462			
14	4717362-63			10-4657731						
15	4717979 (E)									
16	4720148			18-4673626						



CODE	MOLDING NO.	BOLT & CLIP	BOLT	CLIP	SCREW	WASHER	NUT	SPACER	RETAINER	STUD & CLIP
------	-------------	-------------	------	------	-------	--------	-----	--------	----------	-------------

NUMBER PRECEDING ATTACHING PART NUMBER INDICATES QUANTITY REQUIRED PER CAR

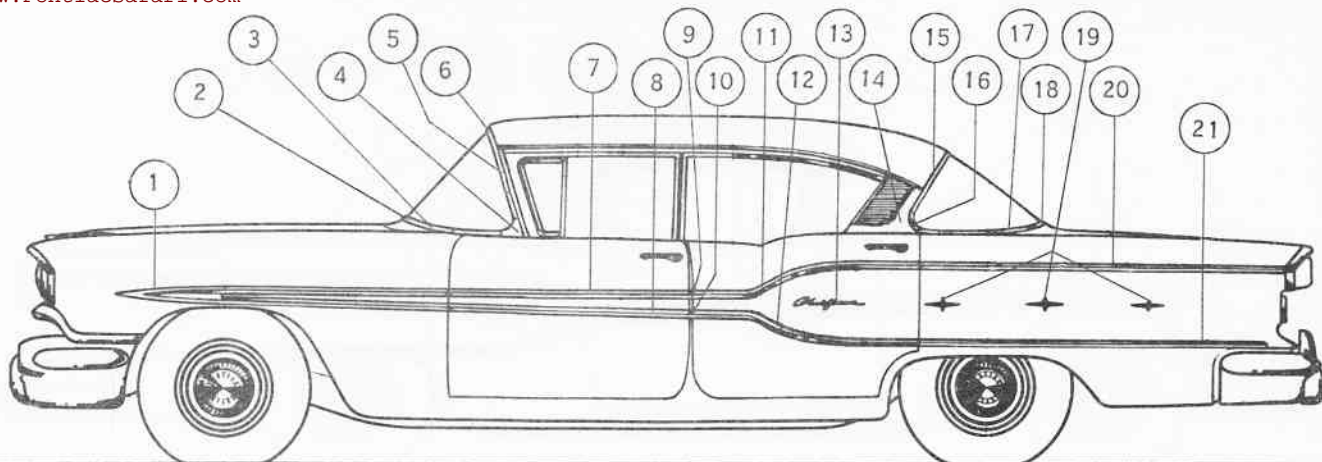
CODE	MOLDING NO.	BOLT & CLIP	BOLT	CLIP	SCREW	WASHER	NUT	SPACER	RETAINER	STUD & CLIP
1	529960(R&L)						20-446059		2-524661 18-524908	
2	4715104 (E)									
3	4715306-07				2-442610					
4	4716604-05						2-4746617			
5	4715304-05									
6	4715104 (E)									
7	4721227-28			8-4724188 16-4724146	8-455308					
8	4721227-28			8-4724188 16-4724146	8-455308					
9	4721588-89				4-455309					
10	4721588-89				4-455309					
11	4721592-93			10-4722818 4-4733752			14-4629828			
12	4721596-97	10-4722818					14-4629828 4-4733752			
13	4727311(R&L)			14-4635016						
14	4716927			8-4657731						
15	4717366-67	4-4718714					4-271482			
16	4717362-63			10-4657731						
17	4717979 (E)									
18	4720148			18-4673626						
19	4719589-90	4-4722818		10-4724145			4-4644959			
20	4719597-98	2-4722818		12-4738044			2-4644959			



CODE	MOLDING NO.	BOLT & CLIP	BOLT	CLIP	SCREW	WASHER	NUT	SPACER	RETAINER	STUD & CLIP
------	-------------	-------------	------	------	-------	--------	-----	--------	----------	-------------

NUMBER PRECEDING ATTACHING PART NUMBER INDICATES QUANTITY REQUIRED PER CAR

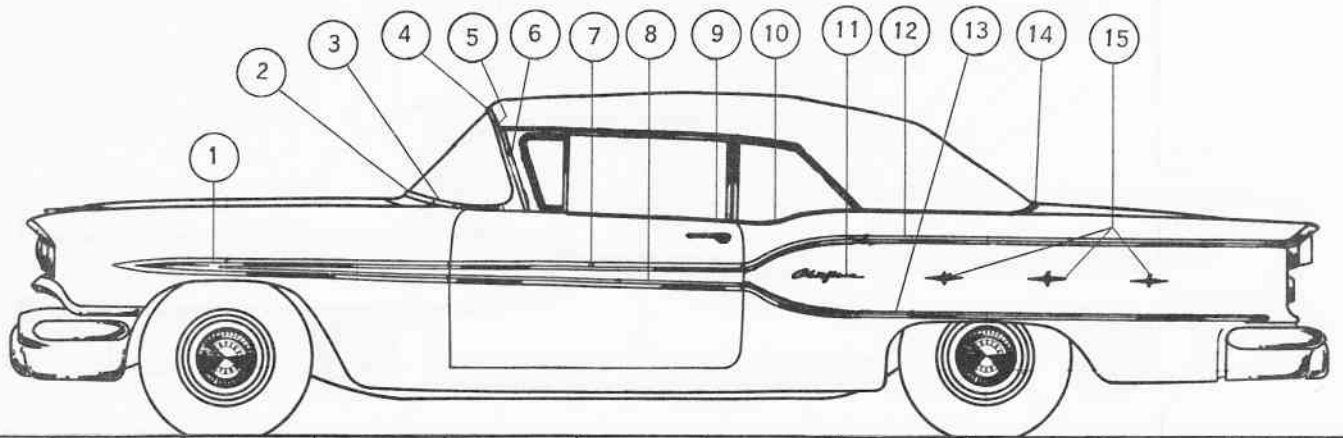
1	529960(R&L)						20-446059		2-524661	
									18-524908	
2	4715104 (E)									
3	4715306-07				2-442610					
4	4716604-05						2-4746617			
5	4715304-05									
6	4715104 (E)									
7	4721223-24			8-4724188	8-455308					
				20-4724146						
8	4721223-24			8-4724188	8-455308					
				20-4724146						
9	4723711(R&L)			14-4635016						
10	4728853-54				6-441317					
11	4716927			8-4657731						
12	4717366-67	4-4718714					4-271482			
13	4717362-63			10-4657731						
14	4717979 (E)									
15	4720148			18-4673626						
16	4719585-86	10-4722818		10-4724145			10-4644959			
17	4719593-94	10-4722818		10-4724146			10-4644959			



CODE	MOLDING NO.	BOLT & CLIP	BOLT	CLIP	SCREW	WASHER	NUT	SPACER	RETAINER	STUD & CLIP
------	-------------	-------------	------	------	-------	--------	-----	--------	----------	-------------

NUMBER PRECEDING ATTACHING PART NUMBER INDICATES QUANTITY REQUIRED PER CAR

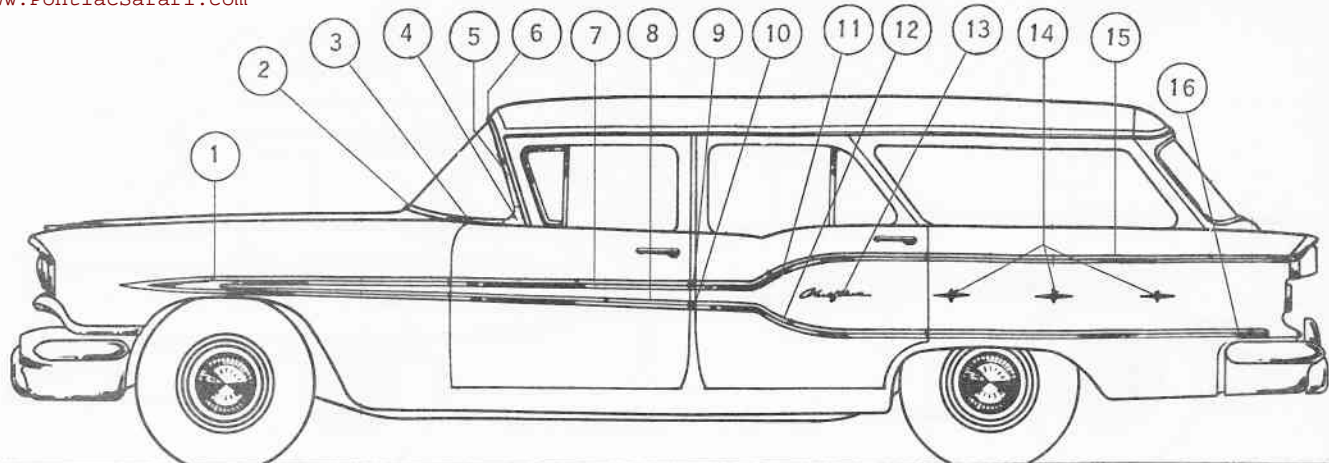
1	529960 (R&L)								20-446059	2-524661 18-524908
2	4715104 (E)									
3	4715306-07				2-442610					
4	4716604-05							2-4746617		
5	4715304-05									
6	4715104 (E)									
7	4721227-28			8-4724188	8-455308					
				16-4724146						
8	4721227-28			8-4724188	8-455308					
				16-4724146						
9	4721588-89				4-455309					
10	4721588-89				4-455309					
11	4721592-93	10-4722818		4-4724188	4-455308			10-4269828		
12	4721596-97	10-4722818		4-4722188	4-455308			10-4629828		
13	4723711 (R&L)			14-4635016						
14	4726912-13				4-274649	4-4601364				
15	4726927			8-4657731						
16	4717366-67	4-4718714						4-271482		
17	4717362-63			10-4657731						
18	4717979 (E)									
19	4720148			18-4673626						
20	4719589-90	2-4722818						2-4644959		
				12-4738044						
21	4719597-98	2-4722818						2-4644959		
				12-4738044						



CODE	MOLDING NO.	BOLT & CLIP	BOLT	CLIP	SCREW	WASHER	NUT	SPACER	RETAINER	STUD & CLIP
------	-------------	-------------	------	------	-------	--------	-----	--------	----------	-------------

NUMBER PRECEDING ATTACHING PART NUMBER INDICATES QUANTITY REQUIRED PER CAR

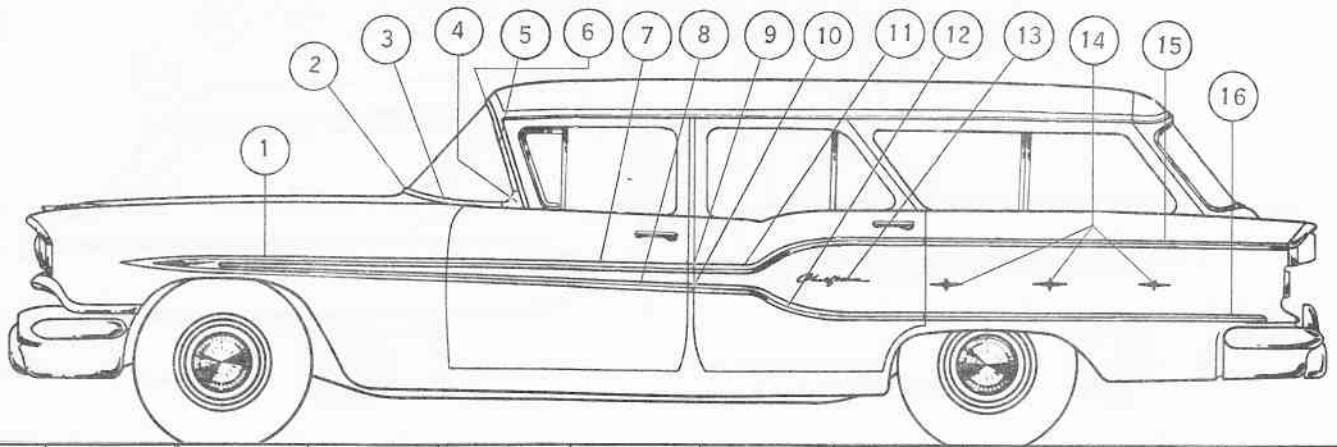
CODE	MOLDING NO.	BOLT & CLIP	BOLT	CLIP	SCREW	WASHER	NUT	SPACER	RETAINER	STUD & CLIP
1	529960(R&L)						20-466059		2-524661	
									18-524908	
2	4715104 (E)									
3	4715306-07				2-442610					
4	4716343				2-4709776					
5	4715230-31				6-4666209					
6	4716664-65				6-4709776					
7	4721223-24			8-4724188	8-455308					
				20-4724146						
8	4721223-24			8-4724188	8-455308					
				20-4724146						
9	4716957-58				6-441317					
10	4716923-24				8-4662875					
11	4723711(R&L)			14-4635016						
12	4719341-42	10-4722818		12-4724145			10-4644959			
13	4719463-64	10-4722818		10-4738044			10-4644959			
14	4715989-90				4-4662875 (R)					
					3-4662875 (L)					
15	4720148			18-4673626						



CODE	MOLDING NO.	BOLT & CLIP	BOLT	CLIP	SCREW	WASHER	NUT	SPACER	RETAINER	STUD & CLIP
------	-------------	-------------	------	------	-------	--------	-----	--------	----------	-------------

NUMBER PRECEDING ATTACHING PART NUMBER INDICATES QUANTITY REQUIRED PER CAR

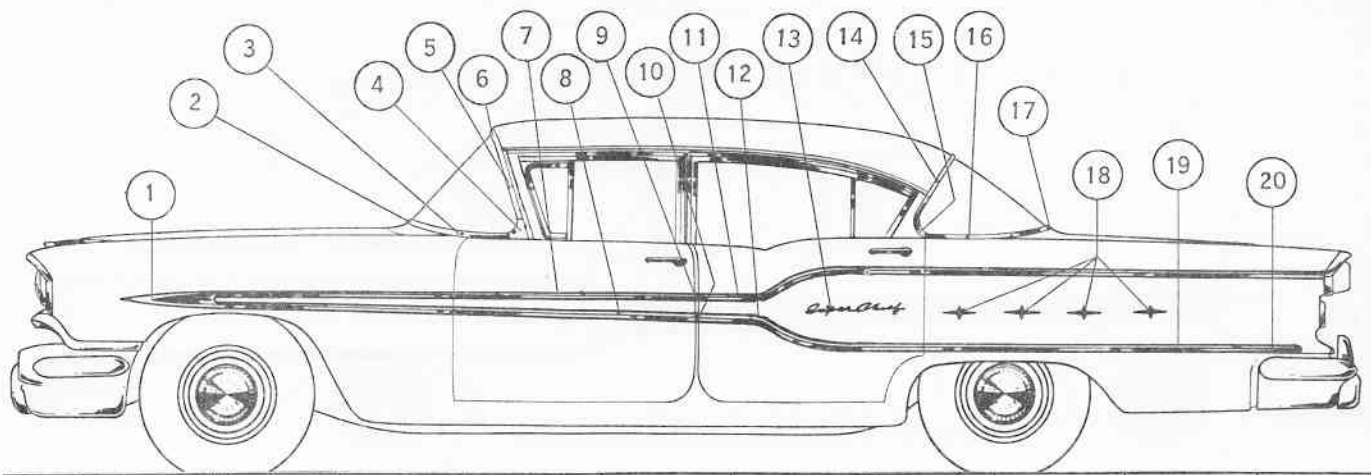
CODE	MOLDING NO.	BOLT & CLIP	BOLT	CLIP	SCREW	WASHER	NUT	SPACER	RETAINER	STUD & CLIP
1	529960(R&L)						20-446059		2-524661	
2	4715104 (E)								18-524908	
3	4715306-07				2-442610					
4	4716604-05						2-4746617			
5	4715304-05									
6	4715104 (E)									
7	4721225-26			8-4724188 16-4724146	8-455308					
8	4721225-26			8-4724188 16-4724146	8-455308					
9	4721590-91				4-455309					
10	4721590-91				4-455309					
11	4721594-95			4-4724188	4-455308		10-4629828			
		10-4722818								
12	4721598-99			4-4724188	4-455308		10-4629828			
		10-4722818								
13	4723711(R&L)			14-4635016						
14	4720148			18-4635016						
15	4719589-90	2-4722818					2-4644959			
				12-4738044						
16	4719597-98	2-4722818					2-4644959			
				12-4738044						



CODE	MOLDING NO.	BOLT & CLIP	BOLT	CLIP	SCREW	WASHER	NUT	SPACER	RETAINER	STUD & CLIP
------	-------------	-------------	------	------	-------	--------	-----	--------	----------	-------------

NUMBER PRECEDING ATTACHING PART NUMBER INDICATES QUANTITY REQUIRED PER CAR

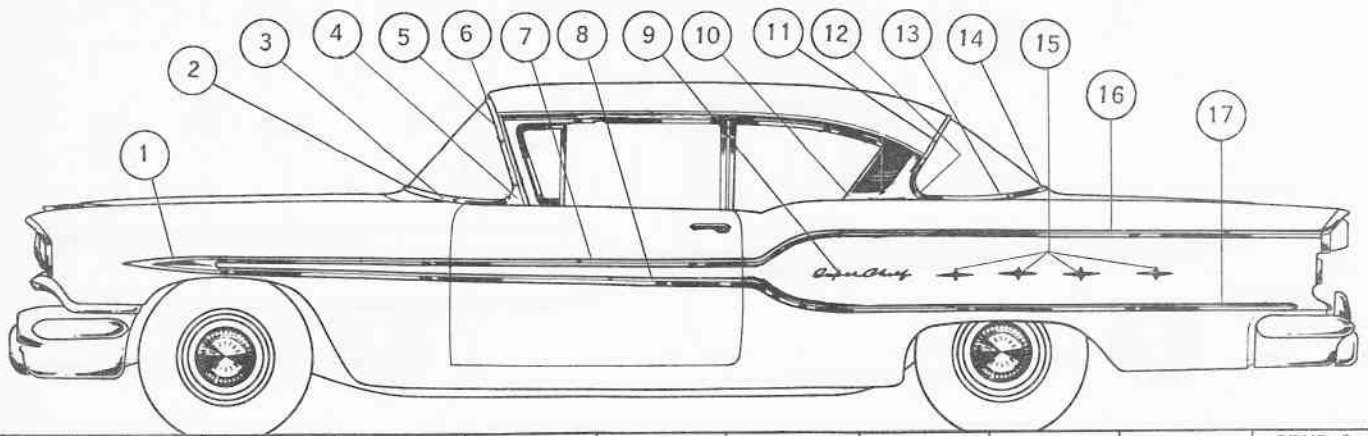
CODE	MOLDING NO.	BOLT & CLIP	BOLT	CLIP	SCREW	WASHER	NUT	SPACER	RETAINER	STUD & CLIP
1	529960(R&L)						20-446059		2-524661	18-524908
2	4715104 (E)									
3	4715306-07				2-442610					
4	4716604-05						2-4746617			
5	4715304-05									
6	4715104 (E)									
7	4721225-26			8-4724138 16-4724146	8-455308					
8	4721225-26			8-4724188 16-4724146	8-455308					
9	4721590-91				4-455309					
10	4721590-91				4-455309					
11	4721594-95			4-4724188	4-455308		10-4629828			
		10-4722818								
12	4721598-99			4-4724188	4-455308		10-4629828			
		10-4722818								
13	4723711(R&L)			14-4635016						
14	4720148			18-4673626						
15	4719589-90	4-4722818		10-4724145			4-4644959			
16	4719597-98	2-4722818		12-4738044			2-4644959			



CODE	MOLDING NO.	BOLT & CLIP	BOLT	CLIP	SCREW	WASHER	NUT	SPACER	RETAINER	STUD & CLIP
------	-------------	-------------	------	------	-------	--------	-----	--------	----------	-------------

NUMBER PRECEDING ATTACHING PART NUMBER INDICATES QUANTITY REQUIRED PER CAR

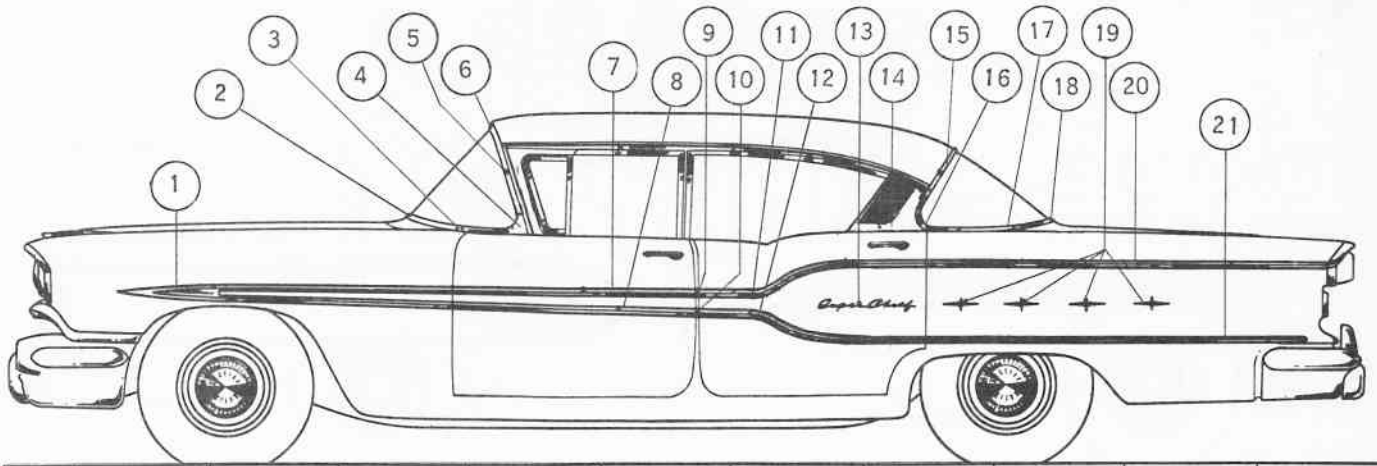
CODE	MOLDING NO.	BOLT & CLIP	BOLT	CLIP	SCREW	WASHER	NUT	SPACER	RETAINER	STUD & CLIP
1	529960(R&L)						20-446059		2-524661	
									18-524908	
2	4715104 (E)									
3	4715306-07				2-442610					
4	4716604-05						2-4746617			
5	4715304-05									
6	4715104 (E)									
7	4721227-28			8-4724188	8-455308					
				16-4724146						
8	4721227-28			8-4724188	8-455308					
				16-4724146						
9	4721588-89				4-455309					
10	4721588-89				4-455309					
11	4721592-93	10-4722818					14-4629828			
				4-4733752						
12	4721596-97	10-4722818					14-4629828			
				4-4733752						
13	4723062(R&L)			18-4635016						
14	4716927			8-4657731						
15	4717366-67	4-4718714					4-271482			
16	4717362-63			10-4657731						
17	4717979 (E)									
18	4720148			24-4673626			4-4644959			
19	4719591-92	4-4722818								
				10-4724145						
20	4719669-70	2-4722818					2-4644959			
				12-4738044			4-4746617			
				4-4724536						



CODE	MOLDING NO.	BOLT & CLIP	BOLT	CLIP	SCREW	WASHER	NUT	SPACER	RETAINER	STUD & CLIP
------	-------------	-------------	------	------	-------	--------	-----	--------	----------	-------------

NUMBER PRECEDING ATTACHING PART NUMBER INDICATES QUANTITY REQUIRED PER CAR

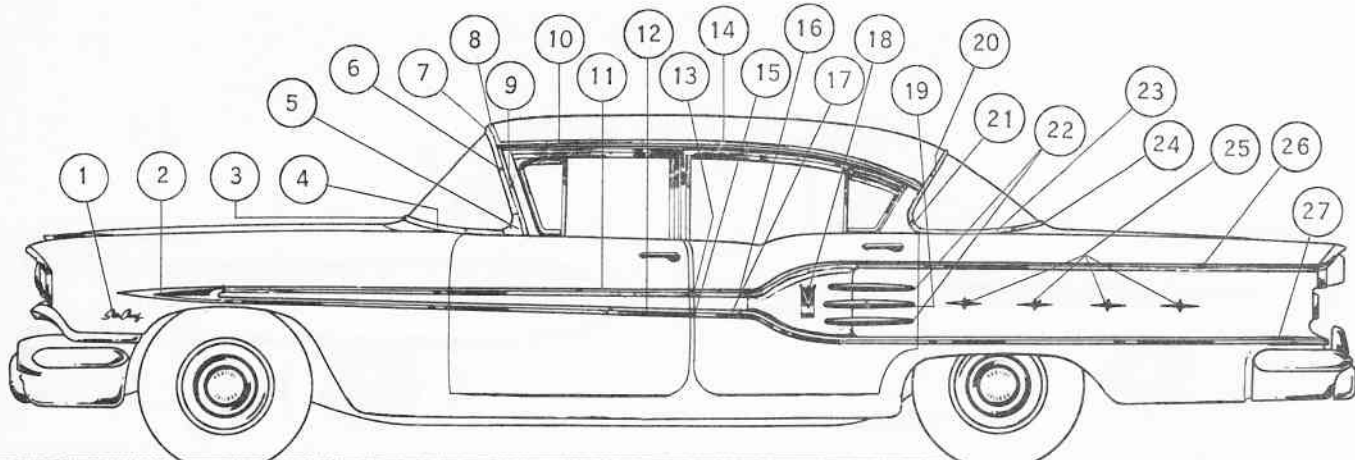
CODE	MOLDING NO.	BOLT & CLIP	BOLT	CLIP	SCREW	WASHER	NUT	SPACER	RETAINER	STUD & CLIP
1	529960(R&L)						20-446059		2-524661	18-524908
2	4715104 (E)									
3	4715306-07				2-442610					
4	4716604-05						2-4746617			
5	4715304-05									
6	4715104 (E)									
7	4721223-24			8-4724188 20-4724146	8-455308					
8	4721223-24			8-4724188 20-4724146	8-455308					
9	4723062(R&L)			18-4635016						
10	4728853-54				6-441317					
11	4716927			8-4657731						
12	4717366-67	4-4718714					4-271482			
13	4717362-63			10-4657731						
14	4717979 (E)									
15	4720148			24-4673626						
16	4719587-88	2-4722818		12-4738044			2-4644959			
17	4719595-96			10-4722818			10-4644959			



CODE	MOLDING NO.	BOLT & CLIP	BOLT	CLIP	SCREW	WASHER	NUT	SPACER	RETAINER	STUD & CLIP
------	-------------	-------------	------	------	-------	--------	-----	--------	----------	-------------

NUMBER PRECEDING ATTACHING PART NUMBER INDICATES QUANTITY REQUIRED PER CAR

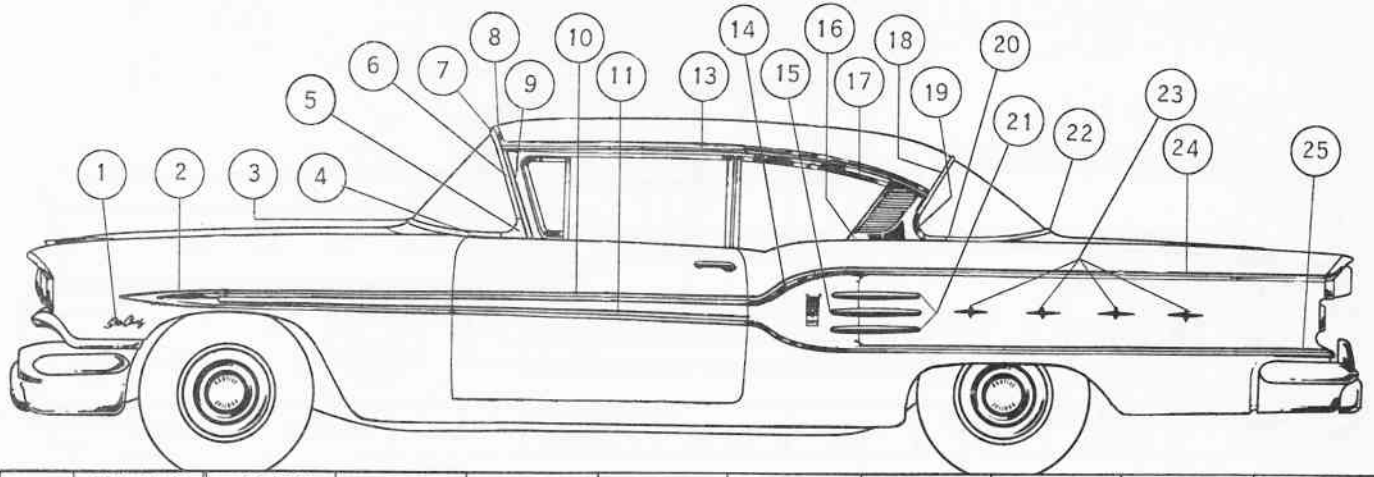
1	529960(R&L)						20-446059		2-524661	
									18-524908	
2	4715104 (E)									
3	4715306				2-442610					
4	4716604-05							2-4746617		
5	4715304-05									
6	4715104 (E)									
7	4721227-28			8-4724188	8-455308					
				16-4724146						
8	4721227-28			8-4724188	8-455308					
				16-4724146						
9	4721588-89				4-455309					
10	4721588-89				4-455309					
11	4721592-93	10-4722818			4-455308			10-4629828		
				4-4724188						
12	4721596-97	10-4722818			4-455308			10-4629828		
				4-4724188						
13	4723062			18-4635016						
14	4726912-13				4-274649	4-4601364				
15	4716927			8-4657731						
16	4717366-67	4-4718714						4-271482		
17	4717362-63			10-4657731						
18	4717979 (E)									
19	4720148			24-4673626						
20	4719591-92	4-4722818						4-4644959		
				10-4724145						
21	4719669-70	2-4722818						2-4644959		
				12-4738044				4-4746617		
				4-4724536						



CODE	MOLDING NO.	BOLT & CLIP	BOLT	CLIP	SCREW	WASHER	NUT	SPACER	RETAINER	STUD & CLIP
------	-------------	-------------	------	------	-------	--------	-----	--------	----------	-------------

NUMBER PRECEDING ATTACHING PART NUMBER INDICATES QUANTITY REQUIRED PER CAR

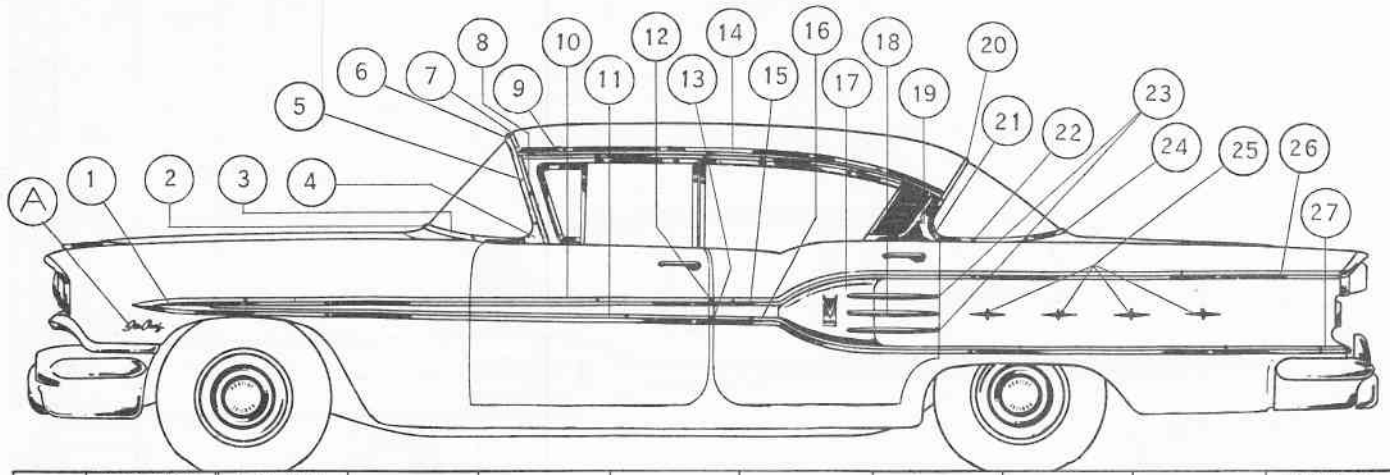
1	529911-12						14-445193			
2	529960 (R&L)						20-446059		2-524661	
									18-524908	
3	4715104 (E)									
4	4715306-07				2-442610					
5	4716604-05						2-4746617			
6	4715304-05									
7	4715104 (E)									
8	4718751	4-4721133				4-4729411	4-4746617			
9	4715015-16				6-4709776					
10	4722418-19				10-4721811					
11	4721227-28			8-4724188	8-455308					
				16-4724146						
12	4721227-28			8-4724188	8-455308					
				16-4724146						
13	4721588-89				8-455309					
14	4719515-16									
15	4721588-89				8-455309					
16	4721592-93	10-4722818					14-4629828			
				4-4733752						
17	4721596-97	10-4722818					14-4629828			
				4-4733752						
18	4721607 (R)	2-4724699			4-271148		2-4644959			
	4727786 (L)	2-4724699			4-271148		2-4644959			
19	4721610 (R&L)				4-164349		2-4629828			
					2-164468					
20	4716927			8-4657731						
21	4717366-67	4-4718714					4-271482			
22	4721608-09				8-164349		4-4629828			
					4-164468					
23	4717362-63			10-4657731						
24	4717979 (E)									
25	4720148			24-4673626						
26	4719589-90	4-4722818		10-4724145			4-4644959			
27	4719604-05	4-4724536					4-4746617			



CODE	MOLDING NO.	BOLT & CLIP	BOLT	CLIP	SCREW	WASHER	NUT	SPACER	RETAINER	STUD & CLIP
------	-------------	-------------	------	------	-------	--------	-----	--------	----------	-------------

NUMBER PRECEDING ATTACHING PART NUMBER INDICATES QUANTITY REQUIRED PER CAR

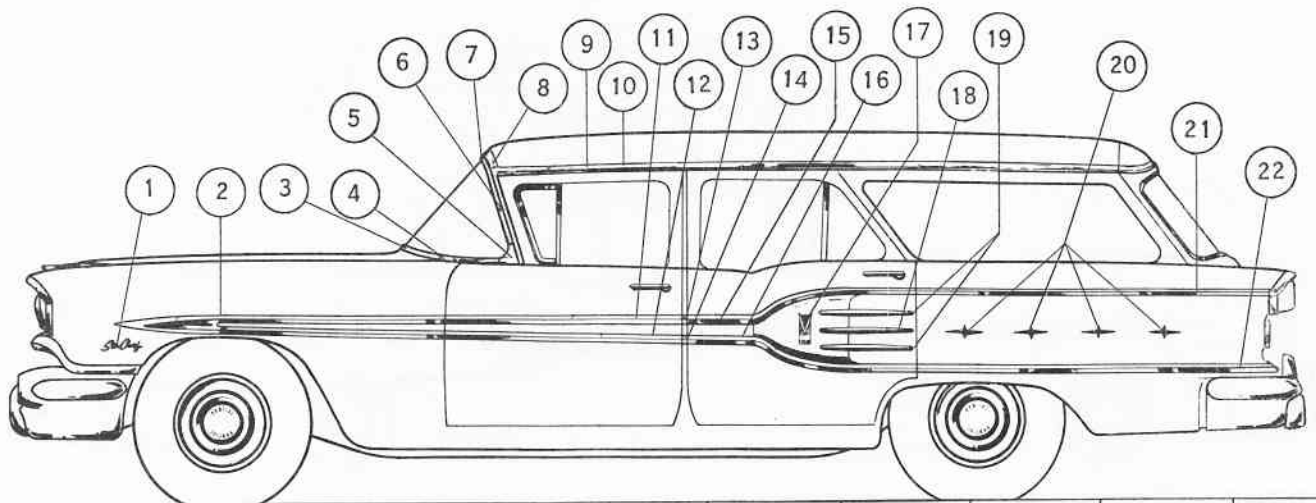
1	529911-12						14-445193			
2	529960(R&L)						20-446059		2-524661	
									18-524908	
3	4715104 (E)									
4	4715306-07				2-442610					
5	4716604-05						2-4746617			
6	4715304-05									
7	4715104 (E)									
8	4718751	6-4721133					6-4729411	6-4746617		
9	4715015-16				6-4709776					
10	4721223-24			8-4724188	8-455308					
				20-4724146						
11	4721223-24			8-4724188	8-455308					
				20-4724146						
13	4730771-72									
14	4721607 (R)	2-4724699			4-271148			2-4644959		
	4727786 (L)	2-4724699			4-271148			2-4644959		
15	4724372				4-164349			4-4644959		
16	4728853-54				6-441317					
17	4719515-16									
18	4716927			8-4657731						
19	4717366-67	4-4718714						4-271482		
20	4717362-63			10-4657731						
21	4724370-71				8-164349			8-4644959		
22	4717979 (E)									
23	4720148			24-4673626						
24	4719587-88	2-4722818		14-4738044				2-4644959		
25	4719602-03	10-4722818		10-4738044				10-4644959		



CODE	MOLDING NO.	BOLT & CLIP	BOLT	CLIP	SCREW	WASHER	NUT	SPACER	RETAINER	STUD & CLIP
------	-------------	-------------	------	------	-------	--------	-----	--------	----------	-------------

NUMBER PRECEDING ATTACHING PART NUMBER INDICATES QUANTITY REQUIRED PER CAR

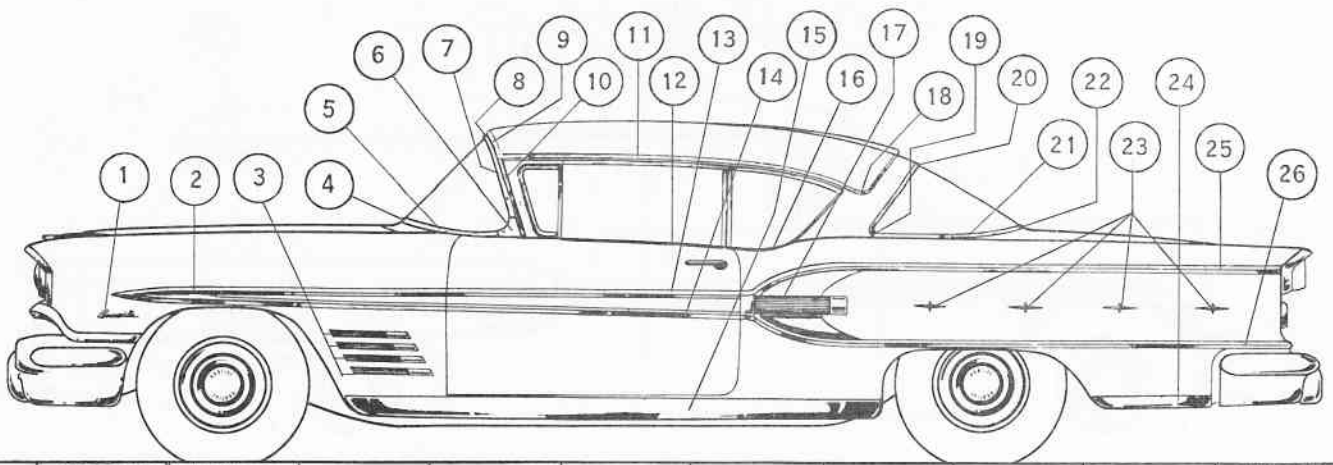
A	529911-12						14-445193			
1	529960 (R&L)						20-446059		2-524661 18-524908	
2	4715104 (E)									
3	4715306-07				2-442610					
4	4716604-05						2-4746617			
5	4715304-05									
6	4715104 (E)									
7	4718751	4-4721133				4-4729411	4-4746617			
8	4715015-16				6-4709776					
9	4719515-16									
10	4721227-28			8-4724188	8-455308					
				16-4724146						
11	4721227-28			8-4724188	8-455308					
				16-4724146						
12	4721588-89				4-455309					
13	4721588-89				4-455309					
14	4718214-15									
15	4721592-93	10-4722818			4-455308		10-4629828			
				4-4724188						
16	4721596-97	10-4722818					14-4629828			
				4-4733752						
17	4721607 (R)	2-4724699			4-271148		2-4644959			
	4727786 (L)	2-4724699			4-271148		2-4644959			
18	4721601 (R&L)				4-164349		2-4629828			
					2-164468					
19	4726912-13				4-274649	4-4601364				
20	4716927			8-4657731						
21	4717366-67	4-4718714					4-271482			
22	4717362-63			10-4657731						
23	4721608-09				8-164349		4-4629828			
					2-164468					
24	4717979 (E)									
25	4720148			24-4673626						
26	4719591-92			4-4722818			4-4644959			
				10-4724145						
27	4719604-05			2-4722818			2-4644959			
				12-4738044			4-4746617			
				4-4724536						



CODE	MOLDING NO.	BOLT & CLIP	BOLT	CLIP	SCREW	WASHER	NUT	SPACER	RETAINER	STUD & CLIP
------	-------------	-------------	------	------	-------	--------	-----	--------	----------	-------------

NUMBER PRECEDING ATTACHING PART NUMBER INDICATES QUANTITY REQUIRED PER CAR

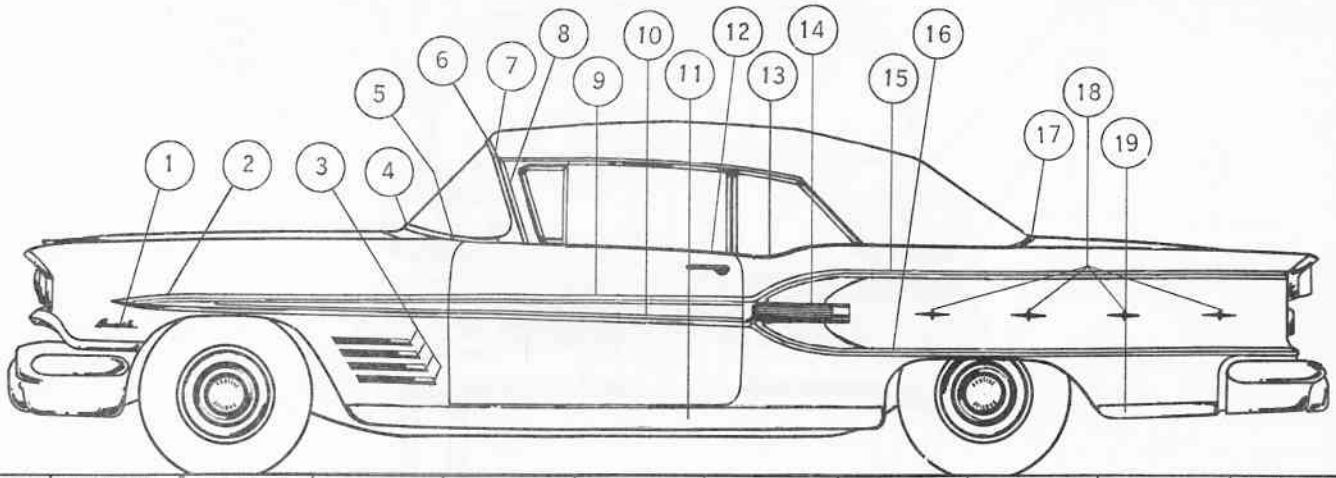
1	529911-12						14-445193			
2	529960 (R&L)						20-446059		2-524661	
									18-524908	
3	4715104 (E)									
4	4715306-07				2-442610					
5	4716604-05						2-4746617			
6	4715304-05									
7	4715104 (E)									
8	4718668	6-4721332				6-4729411	6-4746617			
9	4721743-4									
10	4722480-81									
11	4721225-26			8-4724188	8-455308					
				16-4724146						
12	4721225-26			8-4724188	8-455308					
				16-4724146						
13	4721590-91				4-455309					
14	4721590-91				4-455309					
15	4721594-95			4-4724188	4-455308		10-4629828			
		10-4722818								
16	4721598-99			4-4724188	4-455308		10-4629828			
		10-4722818								
17	4721607 (R)	2-4724699			4-271148		2-4644959			
	4727786 (L)	2-4724699			4-271148		2-4644959			
18	4721610 (R&L)				4-164349		2-4629828			
					2-164468					
19	4721608-09				8-164349		4-4629828			
					4-164468					
20	4720148			24-4673626						
21	4719589-90	4-4722818		10-4724145			4-4644959			
22	4719600-01	2-4722818					2-4644959			



CODE	MOLDING NO.	BOLT & CLIP	BOLT	CLIP	SCREW	WASHER	NUT	SPACER	RETAINER	STUD & CLIP
------	-------------	-------------	------	------	-------	--------	-----	--------	----------	-------------

NUMBER PRECEDING ATTACHING PART NUMBER INDICATES QUANTITY REQUIRED PER CAR

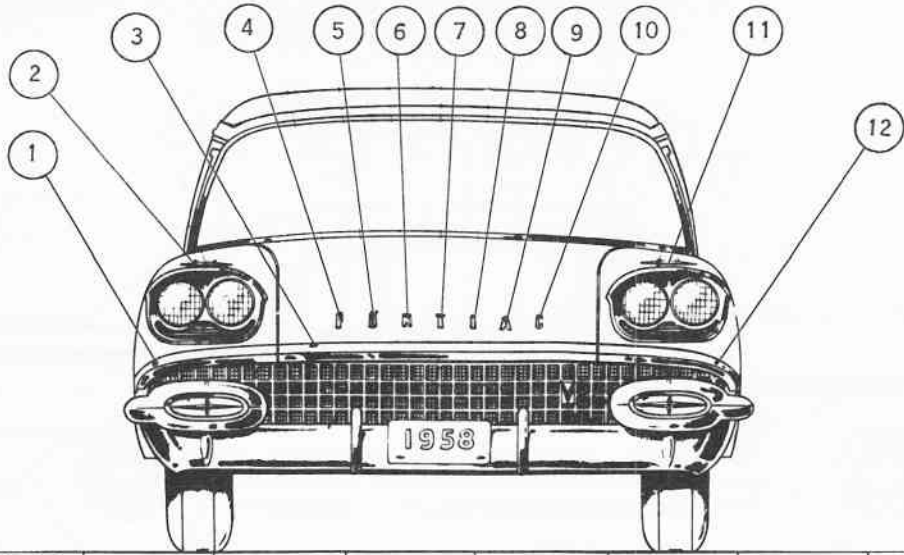
1	529913-14						16-445193			
2	529960 (R&L)						20-446059		2-524661	
									18-524908	
3	529846-47					24-1283465	24-1175497			
4	4715104 (E)									
5	4715306-07				2-442610					
6	4718758-59				4-4709776					
7	4718756-57	6-4721114			4-4709776	6-4729411	6-4746617			
8	4715104 (E)									
9										
10										
11	4716006-07				10-145419					
12	4716957-58				6-441317					
13	4721223-24			8-4724188	8-455308					
				20-4724146						
14	4721223-24			8-4724188	8-455308					
				20-4724146						
15	528623-24						2-446059		12-529883	
									2-530233	
16	4719927-28				8-441317					
17	4721603 (R&L)	2-4724724		16-4724699			18-4644959			
18	4723063-64	2-4730629		10-4724148			2-4746617			
19	4718624 (R&L)						2-271482			
20	4724815			9-4657731						
21	4718395-96			10-4657731						
22	4717979 (E)									
23	4720148			24-4673626						
24	4722233-34				6-4719582				2-4724316	
					8-161892					
25	4719110-11	2-4722818		12-4724145			2-4644959			
		4-4719939								
26	4719461-62	2-4722818		12-4724145			2-4644959			
		4-4719939								



CODE	MOLDING NO.	BOLT & CLIP	BOLT	CLIP	SCREW	WASHER	NUT	SPACER	RETAINER	STUD & CLIP
------	-------------	-------------	------	------	-------	--------	-----	--------	----------	-------------

NUMBER PRECEDING ATTACHING PART NUMBER INDICATES QUANTITY REQUIRED PER CAR

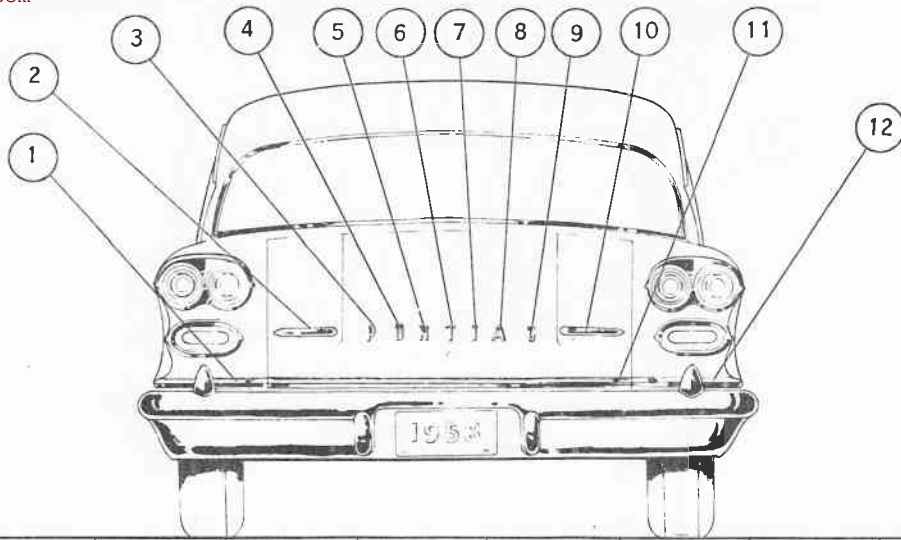
1	529913-14						16-445193			
2	529960 (R&L)						20-446059		2-524661	
									18-524908	
3	529846-47					24-1283465	24-1175497			
4	4715104 (E)									
5	4715306-07				2-442610					
6	4716343				2-4709776					
7	4715230-31				6-4666209					
8	4716664-65									
9	4721223-24			8-4724188	8-455308					
				20-4724146						
10	4721223-24			8-4724188	8-455308					
				20-4724146						
11	528623-24						2-446059		12-529883	
									2-530233	
12	4716957-58				6-441317					
13	4716923-24				8-4662875					
14	4721603 (R&L)	2-4724724		16-4724699			18-4644959			
15	4719110-11	2-4722818		12-4724145			2-4644959			
		4-4719939								
16	4719461-62	2-4722818		12-4724145			2-4644959			
		4-4719939								
17	4715989-90				4-4667825 (R) 3-4667825 (L)					
18	4720148			24-4673626						
19	4722233-34				6-4719582				2-4724316	
					8-161892					



CODE	MOLDING NO.	BOLT & CLIP	BOLT	CLIP	SCREW	WASHER	NUT	SPACER	RETAINER	STUD & CLIP
------	-------------	-------------	------	------	-------	--------	-----	--------	----------	-------------

NUMBER PRECEDING ATTACHING PART NUMBER INDICATES QUANTITY REQUIRED PER CAR

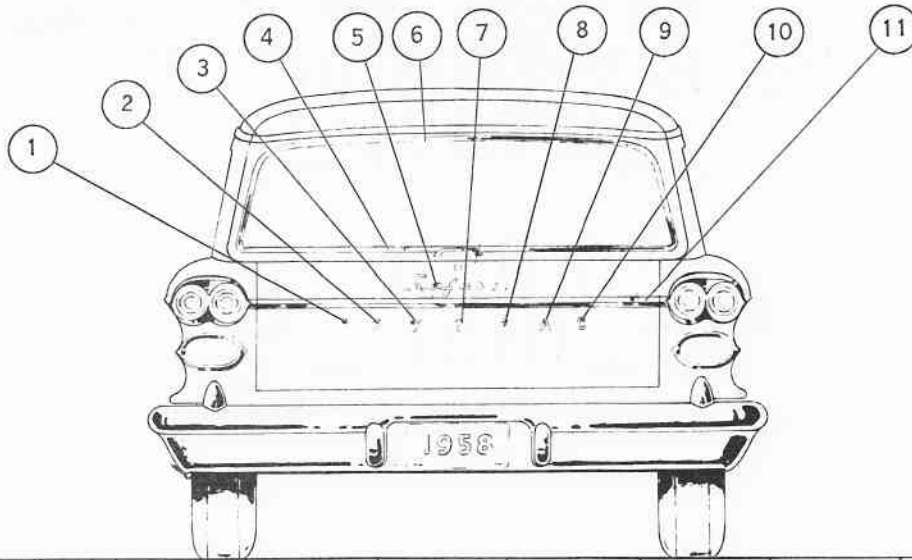
CODE	MOLDING NO.	BOLT & CLIP	BOLT	CLIP	SCREW	WASHER	NUT	SPACER	RETAINER	STUD & CLIP
1	529050				2-187498	2-522759	2-446059			
2	529727						2-524001			
3	528600				4-179377	4-514084				
4	529683						2-1174584			
5	529684						2-1174584			
6	529685						2-1174584			
7	529686						1-1174584			
8	529687						2-1174584			
9	529688						2-1174584			
10	529689						2-1174584			
11	529728						2-524001			
12	529051				2-187498	2-522759	2-446059			



CODE	MOLDING NO.	BOLT & CLIP	BOLT	CLIP	SCREW	WASHER	NUT	SPACER	RETAINER	STUD & CLIP
------	-------------	-------------	------	------	-------	--------	-----	--------	----------	-------------

NUMBER PRECEDING ATTACHING PART NUMBER INDICATES QUANTITY REQUIRED PER CAR

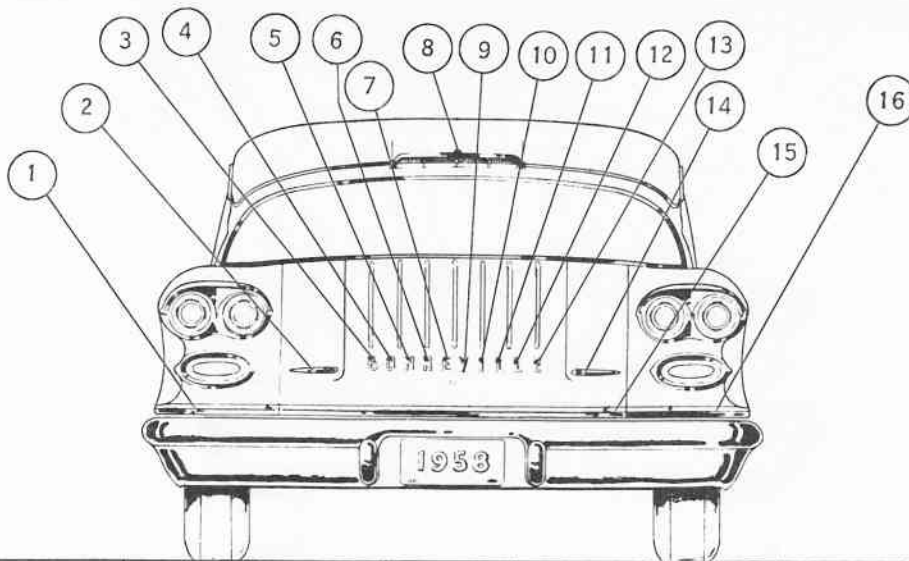
CODE	MOLDING NO.	BOLT & CLIP	BOLT	CLIP	SCREW	WASHER	NUT	SPACER	RETAINER	STUD & CLIP
1	4719584	1-4722818					1-4644959			
2	529669						2-446059			
3	528356					1-519501	1-521197			
4	528357					1-519501	1-521197			
5	528358					1-519501	1-521197			
6	528359					1-519501	1-521197			
7	528360					1-519501	1-521197			
8	528361					1-519501	1-521197			
9	528362					1-519501	1-521197			
10	529670						2-446059			
11										
12	4719583	1-4722818					1-4644959			



CODE	MOLDING NO.	BOLT & CLIP	BOLT	CLIP	SCREW	WASHER	NUT	SPACER	RETAINER	STUD & CLIP
------	-------------	-------------	------	------	-------	--------	-----	--------	----------	-------------

NUMBER PRECEDING ATTACHING PART NUMBER INDICATES QUANTITY REQUIRED PER CAR

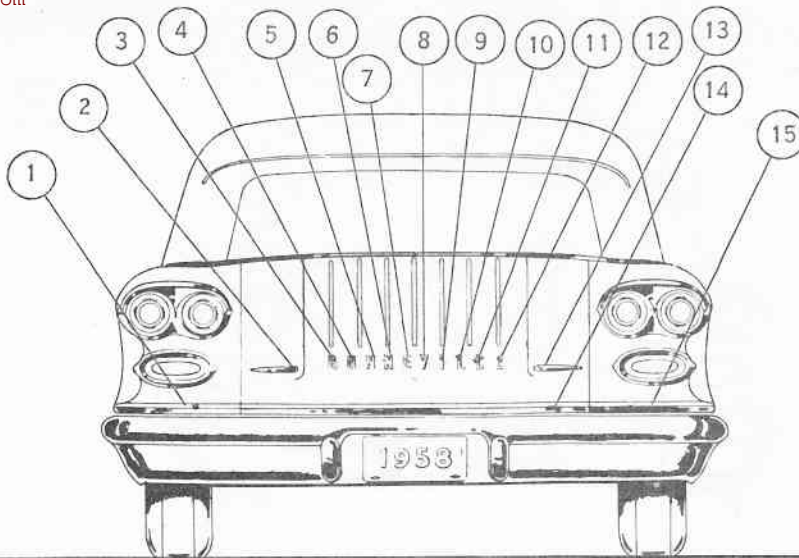
CODE	MOLDING NO.	BOLT & CLIP	BOLT	CLIP	SCREW	WASHER	NUT	SPACER	RETAINER	STUD & CLIP
1	4726697			2-4673626						
2	4726698			2-4673626						
3	4726699			2-4673626						
4	4721961-2			12-4657731						
5	4722018			5-4635016						
6	4721963-4			8-4657731						
7	4726700			2-4673626						
8	4726701			2-4673626						
9	4726702			2-4673626						
10	4726703			2-4673626						
11	4719862			2-4718167	2-455557					
				4-4667804						



CODE	MOLDING NO.	BOLT & CLIP	BOLT	CLIP	SCREW	WASHER	NUT	SPACER	RETAINER	STUD & CLIP
------	-------------	-------------	------	------	-------	--------	-----	--------	----------	-------------

NUMBER PRECEDING ATTACHING PART NUMBER INDICATES QUANTITY REQUIRED PER CAR

1	4720819	1-4722818								1-4644959
2	529670									2-446059
3	531256			2-520414						
4	531257			2-520414						
5	531258			2-520414						
6	531258			2-520414						
7	531259			2-520414						
8	4721765				1-4727288	3-4707304				
					2-4727289					
9	531260			2-520414						
10	531261			2-520414						
11	531262			2-520414						
12	531262			2-520414						
13	531259			2-520414						
14	529669									2-446059
15	4718087	7-4722538								7-4746617
16	4720818	1-4722818								1-4644959



CODE	MOLDING NO.	BOLT & CLIP	BOLT	CLIP	SCREW	WASHER	NUT	SPACER	RETAINER	STUD & CLIP
------	-------------	-------------	------	------	-------	--------	-----	--------	----------	-------------

NUMBER PRECEDING ATTACHING PART NUMBER INDICATES QUANTITY REQUIRED PER CAR

1	4720819	1-4722818					1-4644959			
2	529670						2-446059			
3	531256			2-520414						
4	531257			2-520414						
5	531258			2-520414						
6	531258			2-520414						
7	531259			2-520414						
8	531260			2-520414						
9	531261			2-520414						
10	531262			2-520414						
11	531262			2-520414						
12	531259			2-520414						
13	529669									
14	4718087	7-4722538					7-4746617			
15	4720818									