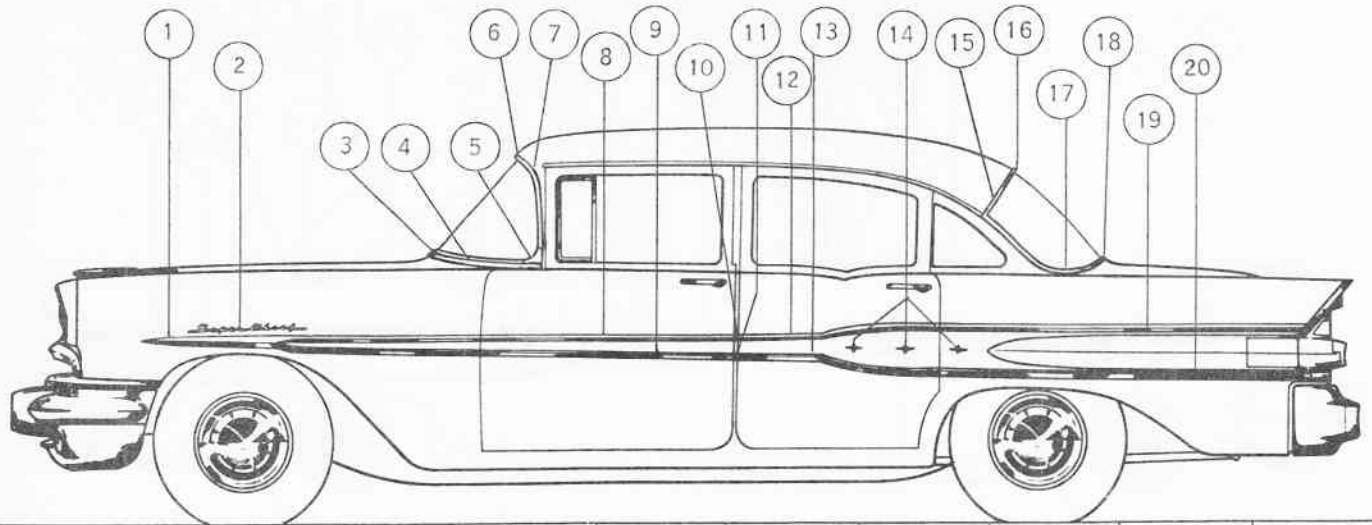


CODE	MOLDING NO.	BOLT & CLIP	BOLT	CLIP	SCREW	WASHER	NUT	SPACER	RETAINER	STUD & CLIP
------	-------------	-------------	------	------	-------	--------	-----	--------	----------	-------------

NUMBER PRECEDING ATTACHING PART NUMBER INDICATES QUANTITY REQUIRED PER CAR

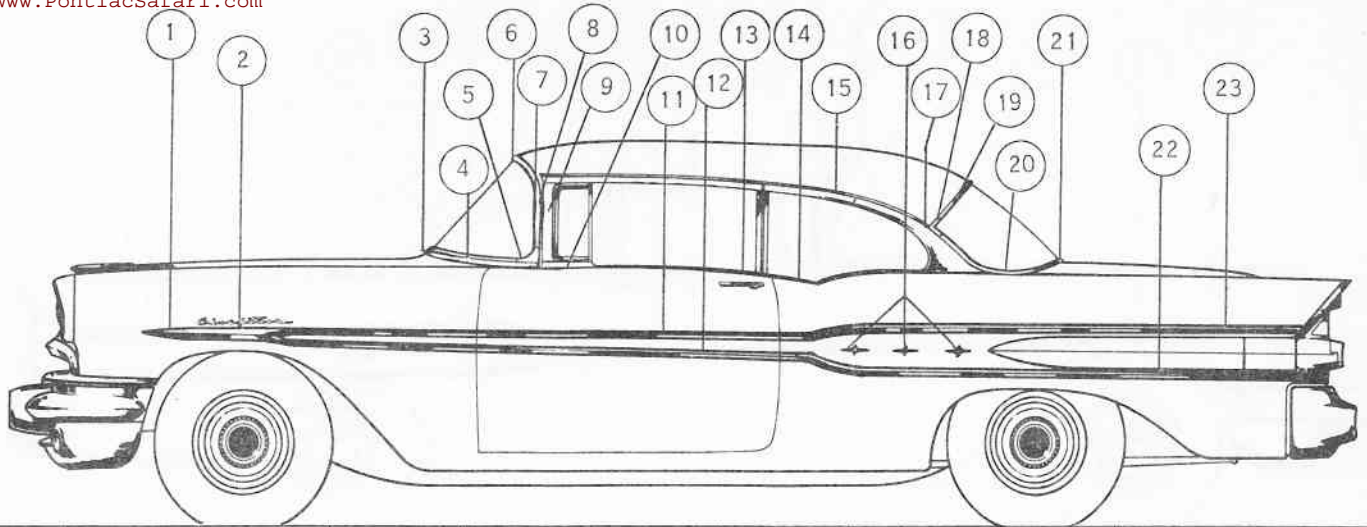
1	524629-30			4-524749				14-446059		4-524661 8-524668 10-370044
2	524675							8-4615081		
3	4654578(E)									
4	4687819-20	2-4665343		2-4655478 1-4676693	3-445974			2-4644959		
5	4661890-91				2-169180					
6	4646446(E)									
7	4654613-14				2-169180					
8	4711116-17			16-4667804	8-#8-32 x 1/4" Truss Hd.					
9	4711116-17			16-4667804	8-#8-32 x 1/4" Truss Hd.					
10	4711504-05				4-#8-32 x 3/16" Truss Hd.					
11	4711504-05				4-#8-32 x 3/16" Truss Hd.					
12	4711508-09			8-4653662	8-#8-32 x 1/4" Truss Hd.					
13	4711506-07			16-4667804	8-#8-32 x 1/4" Truss Hd.					
14	518658			12-514574						
15	4646945-46			8-4657731						
16	4647354(E)									
17	4646943-44			12-4657731						
18	4647160(E)									
19	4711467-68			16-4667804						
20	4711475-76	4-4673604		12-4667804				4-4621332		



CODE	MOLDING NO.	BOLT & CLIP	BOLT	CLIP	SCREW	WASHER	NUT	SPACER	RETAINER	STUD & CLIP
------	-------------	-------------	------	------	-------	--------	-----	--------	----------	-------------

NUMBER PRECEDING ATTACHING PART NUMBER INDICATES QUANTITY REQUIRED PER CAR

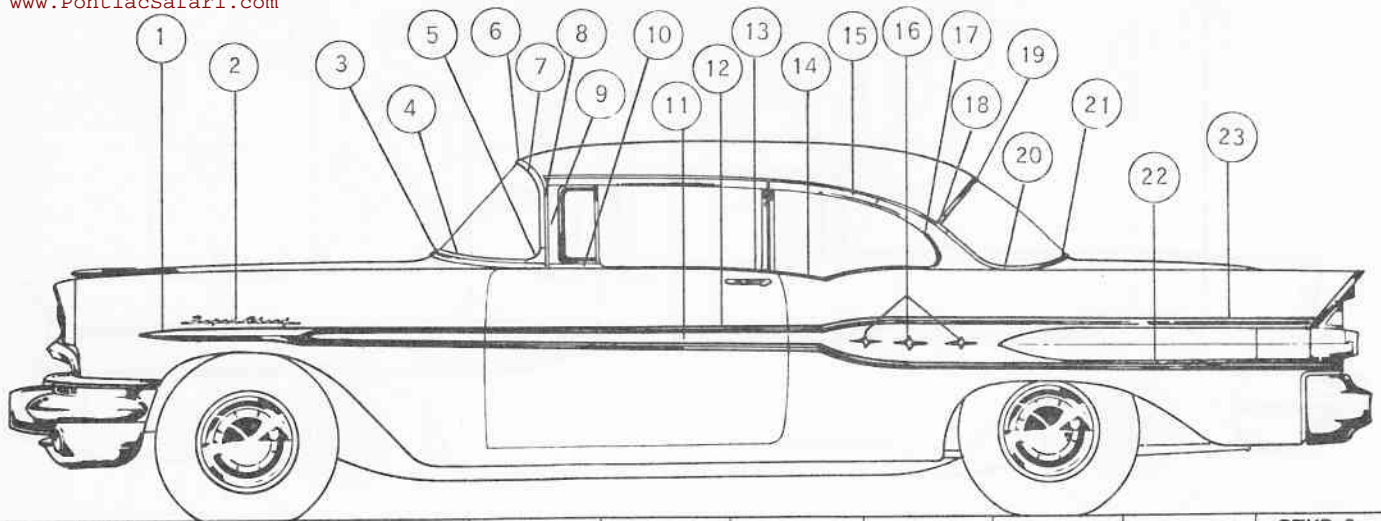
1	524629-30			4-524749				14-446059		4-524661 8-524668 10-3700044
2	524673							8-4615081		
3	4654578(E)									
4	4687819-20	2-4665343		2-4655478						
				1-4676693	3-445974			2-4644959		
5	4649993-94				2-#8-32 x 3/8" Flat Hd.					
					2-169180					
6	4646446(E)									
7	4654613-14				2-169180					
8	4711116-17			16-4667804	8-#8-32 x 1/4" Truss Hd.					
				8-4653662						
9	4711116-17			16-4667804	8-#8-32 x 1/4" Truss Hd.					
				8-4653662						
10	4711504-05				4-#8-32 x 3/16" Truss Hd.					
11	4711504-05				4-#8-32 x 3/16" Truss Hd.					
12	4711506-07			8-4653662	8-#8-32 x 1/4" Truss Hd.					
				16-4667804						
13	4711508-09			8-4653662	8-#8-32 x 1/4" Truss Hd.					
				16-4667804						
14	518658			12-514574						
15	4646945-46			8-4657731						
16	4647354(E)									
17	4646943-44			12-4657731						
18	4647160(E)									
19	4711467-68			16-4667804						
20	4711475-76	4-4673604		16-4667804				4-4621332		



CODE	MOLDING NO.	BOLT & CLIP	BOLT	CLIP	SCREW	WASHER	NUT	SPACER	RETAINER	STUD & CLIP
------	-------------	-------------	------	------	-------	--------	-----	--------	----------	-------------

NUMBER PRECEDING ATTACHING PART NUMBER INDICATES QUANTITY REQUIRED PER CAR

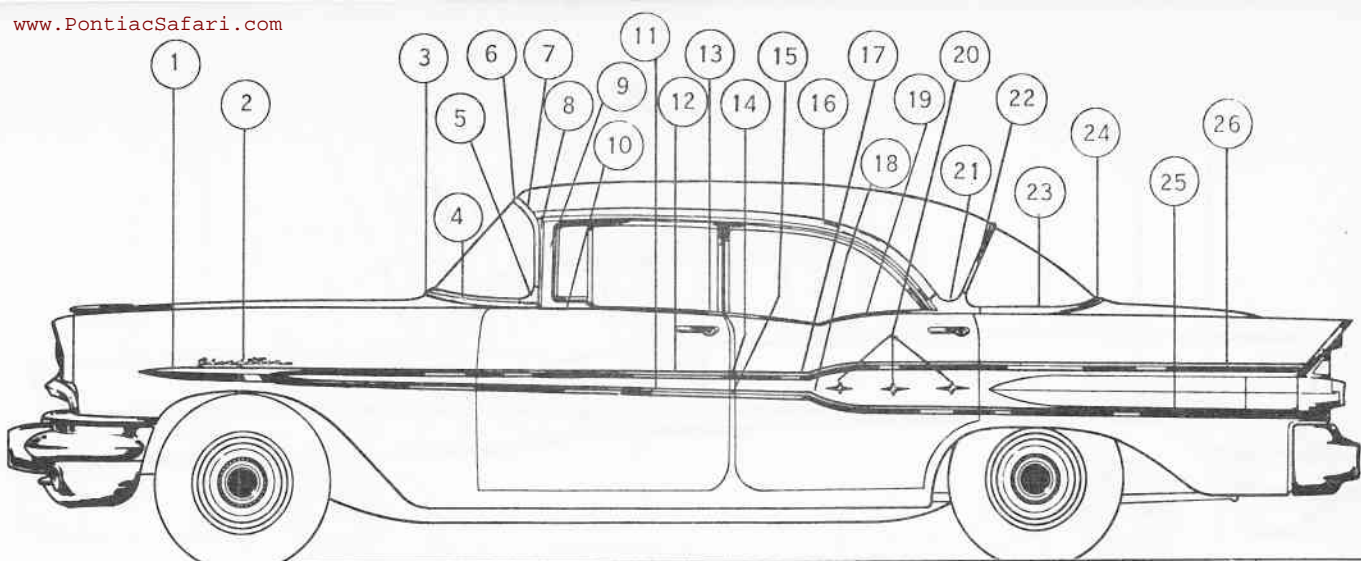
1	524629-30			4-524749				14-446059		4-524661
										8-524668
										10-3700044
2	524675							8-4615081		
3	4654578(E)									
4	4687819-20	2-4665343		1-4676693						
				2-4655478	3-445974			2-4644959		
5	4649993-94				2-#8-32 x 3/8" Flat Hd.					
					2-169180					
6	4646446(E)									
7	4654615-16				2-169180					
8	4648756-57				6-#8-32 x 3/8" Flat Hd.					
9	4648236-37				4-4666209					
10	4677120-21				2-4666209					
11	4711114-15			20-4667804	3-#8-32 x 1/4" Truss Hd.					
				8-4653662						
12	4711114-15			20-4667804	8-#8-32 x 1/4" Truss Hd.					
				8-4653662						
13	4677122-23				12-431601					
					2-#8-18 x 3/8" Pan Hd.					
14	4649366-67				10-446869					
15	4649928-29				10-145417					
16	518658			12-514574						
17	4678200-01				2-#8-15 x 3/8" Pan Hd.					
					2-431601				6-#8-32 "J"	
18	4648755(E)					2-#6 Ext. Lock			2-134530	
19	4648489			8-4657731						
20	4648254-55			14-4657731						
21	4647160(E)									
22	4711487-88	2-4673604		18-4667804					2-4621332	
23	4711483-84	4-4673604		18-4667804					4-4621332	



CODE	MOLDING NO.	BOLT & CLIP	BOLT	CLIP	SCREW	WASHER	NUT	SPACER	RETAINER	STUD & CLIP
------	-------------	-------------	------	------	-------	--------	-----	--------	----------	-------------

NUMBER PRECEDING ATTACHING PART NUMBER INDICATES QUANTITY REQUIRED PER CAR

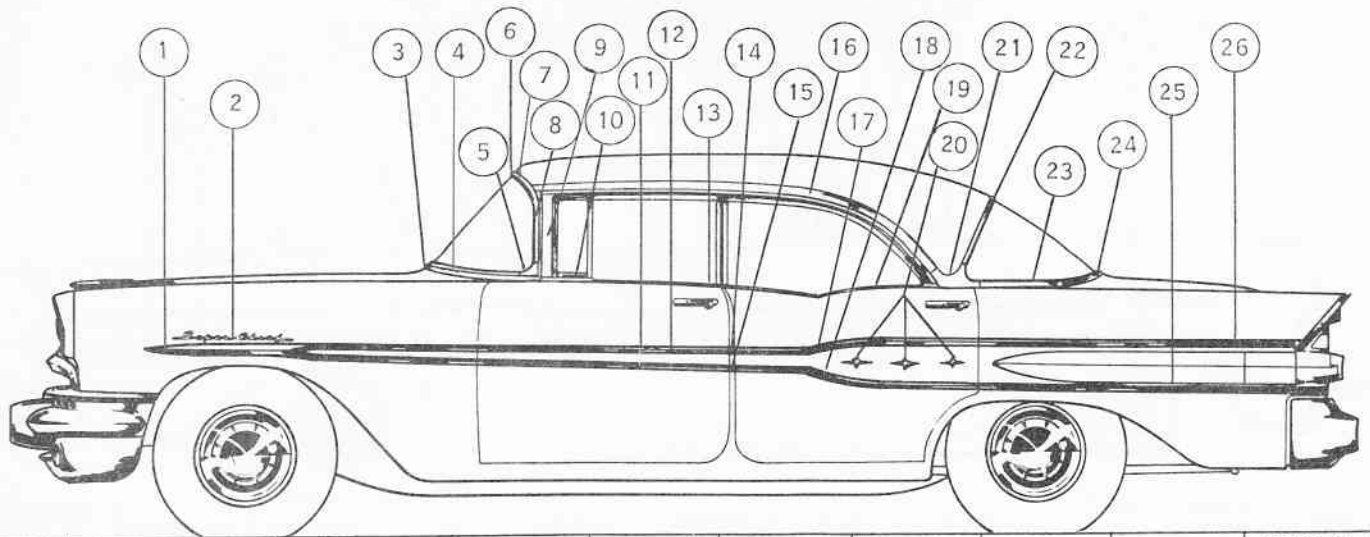
1	524629-30			4-524749				14-446059		4-524661 8-524668 10-3700044
2	524675							8-4615081		
3	4654578(E)									
4	4687819-20	2-4665343		1-4676693 2-4655478	3-445974			2-4644959		
5	4649993-94				2-#8-32 x 3/8" Flat Hd. 2-169180					
6	4646446(E)				2-169180					
7	4654615-16				6-#8-32 x 3/8" Flat Hd.					
8	4648756-57				4-4666209					
9	4648236-37				2-4666209					
10	4677120-21				8-#8-32 x 1/4" Truss Hd.					
11	4711114-15			20-4667804 8-4653662						
12	4711114-15			20-4667804 8-4653662	8-#8-32 x 1/4" Truss Hd.					
13	4677122-23				12-431601 2-#8-18 x 3/8" Pan Hd.					
14	4649366-67				10-446869					
15	4649928-29				10-145417					
16	518658			12-514574						
17	4678200-01				2-#8-15 x 3/8" Pan Hd. 2-431601			6-#8-32 "J"		
18	4648755(E)					2-#6 Ext. Lock		2-134530		
19	4648489			8-4657731						
20	4648254-55			14-4657731						
21	4647160(E)									
22	4711487-88	2-4673604		18-4667804				2-4621332		
23	4711483-84	4-4673604		18-4667804				4-4621332		



CODE	MOLDING NO.	BOLT & CLIP	BOLT	CLIP	SCREW	WASHER	NUT	SPACER	RETAINER	STUD & CLIP
------	-------------	-------------	------	------	-------	--------	-----	--------	----------	-------------

NUMBER PRECEDING ATTACHING PART NUMBER INDICATES QUANTITY REQUIRED PER CAR

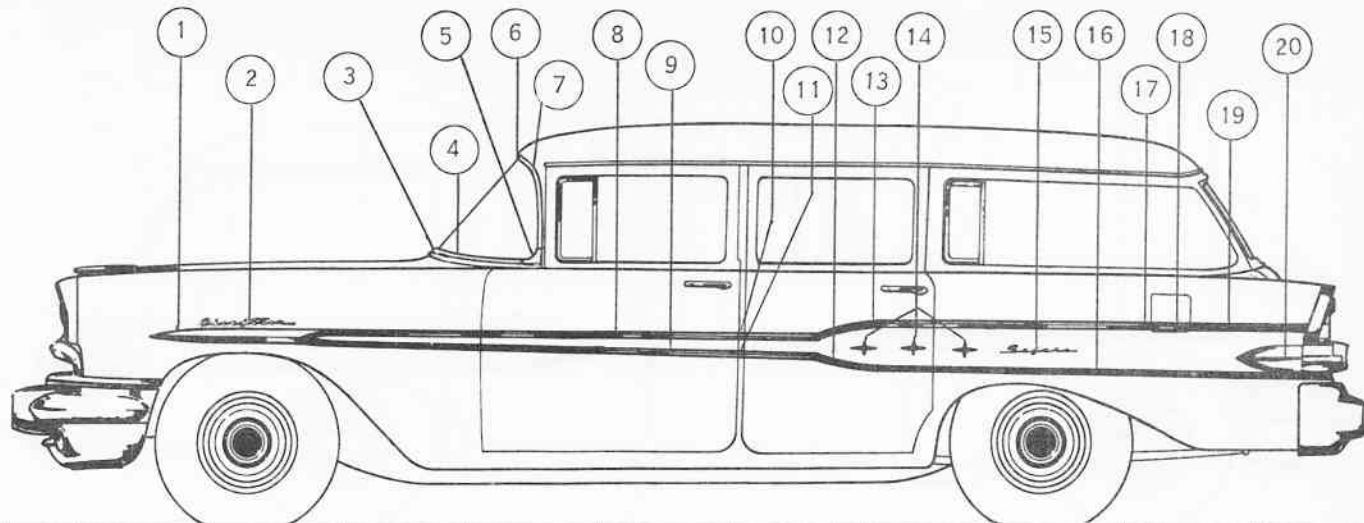
1	524629-30			4-524749				14-446059		4-524661
										8-524668
										10-3700044
2	524675							8-4615081		
3	4654578(E)									
4	4687819-20	2-4665343		1-4676693						
				2-4655478	3-445974			2-4644959		
5	4649993-94				2-169180					
					2-#8-32 x					
					3/8" Flat Hd.					
6	4646446(E)									
7	4654615-16				2-169180					
8	4671716-17				6-#8-32 x					
					3/8" Flat Hd.					
9	4680027-28				4-4666209					
10	4676850-51				2-4666209					
11	4711118-19			16-4667804	8-#8-32 x					
				8-4653662	1/4" Truss Hd.					
12	4711118-19			16-4667804	8-#8-32 x					
				8-4653662	1/4" Truss Hd.					
13	4676852-53				8-431601					
14	4711502-03				4-#8-32 x					
					3/16" Truss Hd					
15	4711502-03				4-#8-32 x					
					3/16" Truss Hd					
16	4671323-24				12-#8-15 x					
					5/16" Pan Hd.					
17	4711510-11			20-4667804	8-#8-32 x					
				8-4653662	1/4" Truss Hd.					
18	4711512-13			20-4667804	8-#8-32 x					
				8-4653662	1/4" Truss Hd.					
19	4676816-17				12-431601					
20	518658			12-514574						
21	4671740-41				2-#8-15 x					
					5/16" Pan Hd.					
22	4671357			12-4657731	2-#8-15 x					
					5/16" Pan Hd.					
23	4670930-31			12-4657731						
24	4671619(E)									
25	4711479-80	4-4673604		10-4667804				4-4621332		
26	4711471-72	4-4673604		12-4667804				4-4621332		



CODE	MOLDING NO.	BOLT & CLIP	BOLT	CLIP	SCREW	WASHER	NUT	SPACER	RETAINER	STUD & CLIP
------	-------------	-------------	------	------	-------	--------	-----	--------	----------	-------------

NUMBER PRECEDING ATTACHING PART NUMBER INDICATES QUANTITY REQUIRED PER CAR

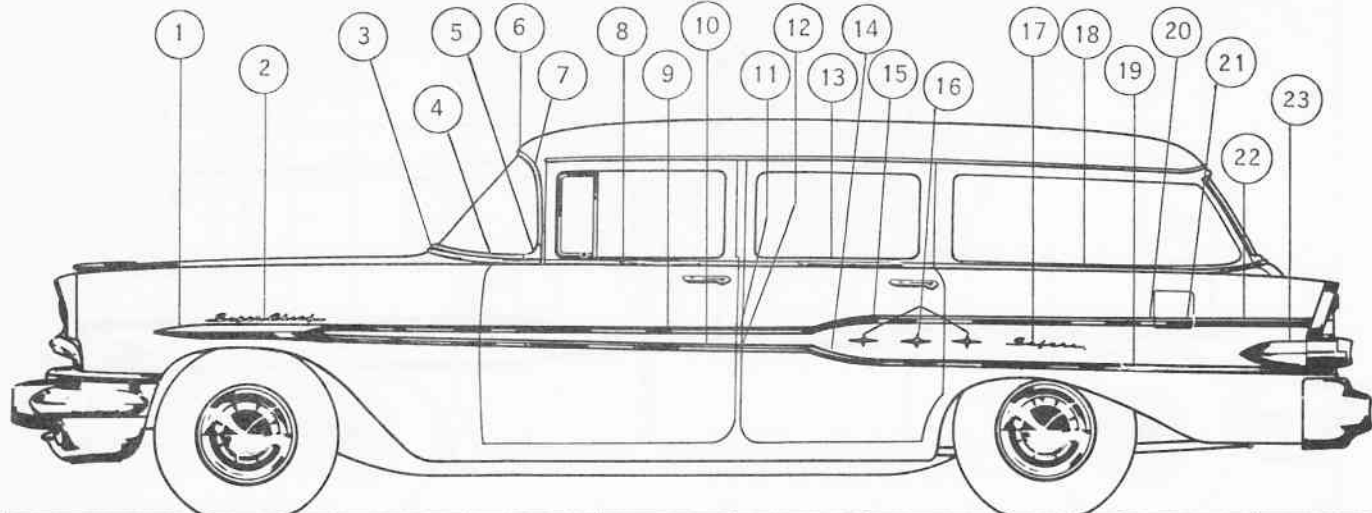
1	524629-30			4-524749			14-448059		4-524661	
									8-524668	
									10-3700044	
2	524673						8-4615081			
3	4654578(E)									
4	4687819-20	2-4665343		1-4676693						
				2-4655478	3-445974		2-4644959			
5	4649993-94				2-#8-32 x 3/8" Flat Hd.					
					2-169180					
6	4646446(E)									
7	4654615-16				2-169180					
8	4671716-17				6-#8-32 x 3/8" Flat Hd.					
9	4680027-28				4-4666209					
10	4669777-78				2-4666209					
11	4711118-19			16-4667804	8-#8-32 x 1/4" Truss Hd.					
				8-4653662						
12	4711118-19			16-4667804	8-#8-32 x 1/4" Truss Hd.					
				8-4653662						
13	4669781-82				8-431601					
14	4711502-03				4-#8-32 x 3/16" Truss Hd.					
15	4711502-03				4-#8-32 x 3/16" Truss Hd.					
16	4671323-24				12-#8-15 x 5/16" Pan Hd.					
17	4711510-11			20-4667804 8-4653662	8-#8-32 x 1/4" Truss Hd.					
18	4711512-13			20-4667804 8-4653662	8-#8-32 x 1/4" Truss Hd.					
19	4669898-99				12-431601					
20	518658			12-514574						
21	4671740-41				2-#8-15 x 5/16" Pan Hd.					
22	4671357			12-4657731						
23	4670930-31			12-4657731						
24	4671619(E)									
25	4711479-80	4-4673604		10-4667804			4-4621332			
26	4711471-72	4-4673604		12-4667804			4-4621332			



CODE	MOLDING NO.	BOLT & CLIP	BOLT	CLIP	SCREW	WASHER	NUT	SPACER	RETAINER	STUD & CLIP
------	-------------	-------------	------	------	-------	--------	-----	--------	----------	-------------

NUMBER PRECEDING ATTACHING PART NUMBER INDICATES QUANTITY REQUIRED PER CAR

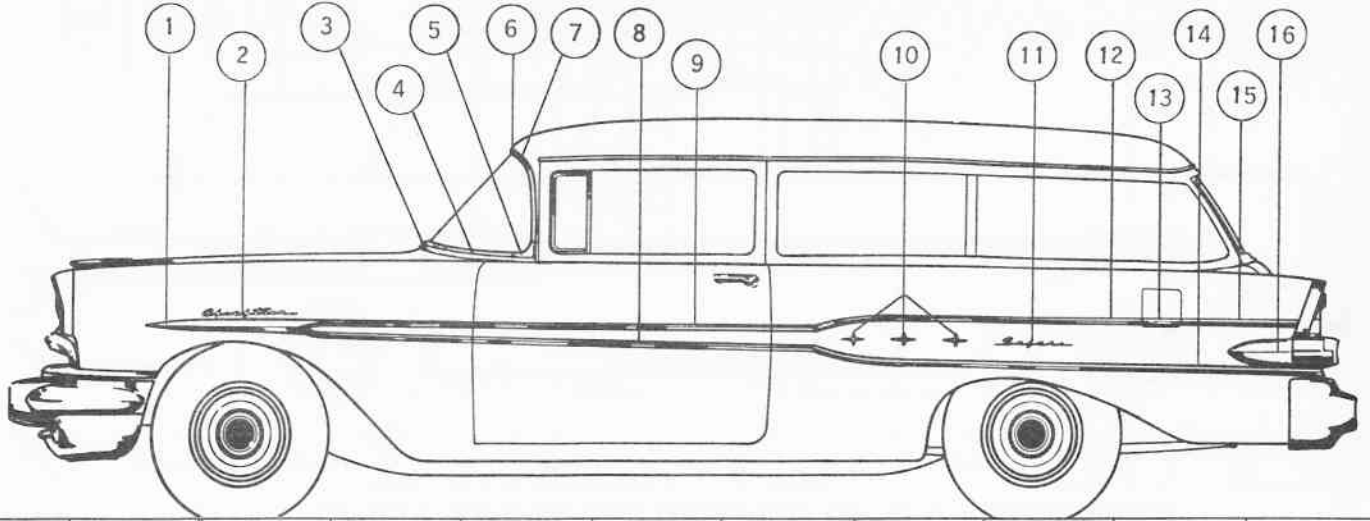
1	524629-30			4-524749			14-446059		4-524661	
									8-524668	
									10-3700044	
2	524675						8-4615081			
3	4654578(E)									
4	4687819-20	2-4665343		1-4676693						
				2-4655478	4-445974		2-4644959			
5	4661890-91				2-169180					
					2-#8-32 x					
					3/8" Flat Hd.					
6	4646446(E)									
7	4654613-14				2-169180					
8	4711116-17			16-4667804	8-#8-32 x					
					1/4" Truss Hd.					
				8-4653662						
9	4711116-17			16-4667804	8-#8-32 x					
					1/4" Truss Hd.					
				8-4653662						
10	4711504-05				4-#8-32 x					
					3/16" Truss Hd.					
11	4711504-05				4-#8-32 x					
					3/16" Truss Hd.					
12	4711508-09			8-4653662	8-#8-32 x					
					1/4" Truss Hd.					
				16-4667804						
13	4711506-07			8-4653662	8-#8-32 x					
					1/4" Truss Hd.					
				16-4667804						
14	518658			12-514574						
15	523732			6-520414						
16	4711475-76	4-4673604		12-4667804			4-4621332			
17	4711124(R.H.)	1-4673604		8-4667804			1-4621332			
	(FRT.) 4711125(L.H.)	1-4673604		4-4667804			1-4621332			
18	4711491			2-4653662	2-#8-32 x	2-120391				
					1/4" Truss Hd.					
19	(RR.) 4711493(L.H.)	2-4673604		1-4667804			2-4621332			
20	524672						6-446059		2-523165	
									2-523167	



CODE	MOLDING NO.	BOLT & CLIP	BOLT	CLIP	SCREW	WASHER	NUT	SPACER	RETAINER	STUD & CLIP
------	-------------	-------------	------	------	-------	--------	-----	--------	----------	-------------

NUMBER PRECEDING ATTACHING PART NUMBER INDICATES QUANTITY REQUIRED PER CAR

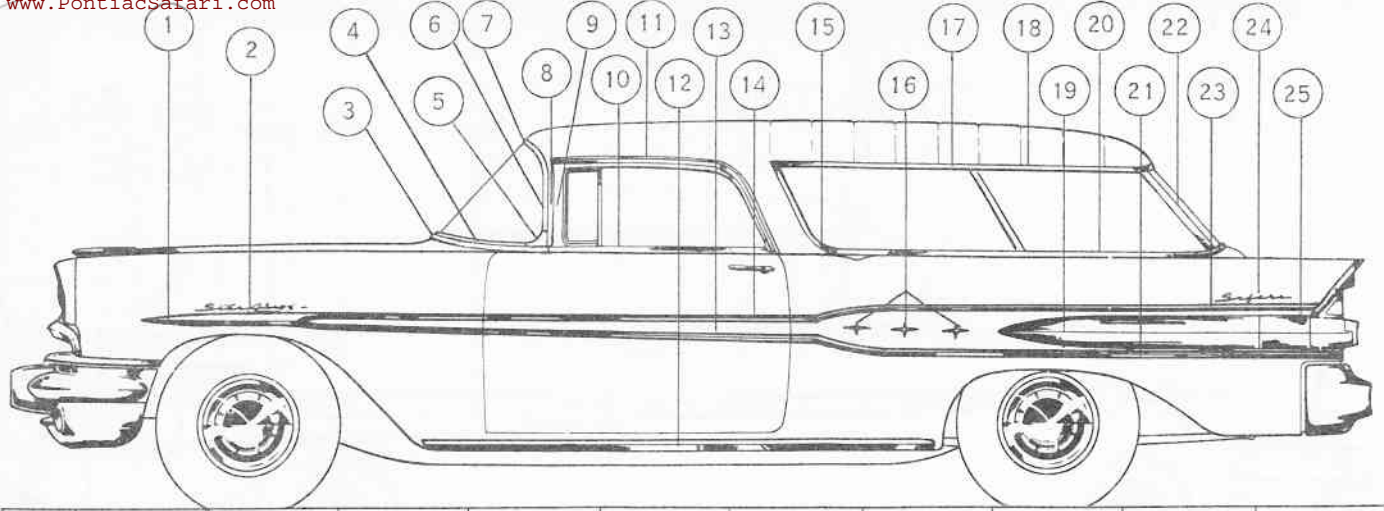
1	524629-30			4-524749				14-446059		4-524661
										8-524668
										10-3700044
2	524673							8-4615081		
3	4654578(E)									
4	4687819-20	2-4665343		1-4676693						
				2-4655478	3-445974			2-4644959		
5	4649993-94				2-169180					
					2-#8-32 x 3/8" Flat Hd.					
6	4646446(E)									
7	4654613-14				2-169180					
8	4643355(R&L)			4-4643034	4-164016					
				6-4640845						
9	4711116-17			16-4667804	8-#8-32 x 1/4" Truss Hd.					
				8-4653662						
10	4711116-17			16-4667804	8-#8-32 x 1/4" Truss Hd.					
				8-4653662						
11	4711504-05				4-#8-32 x 3/16" Truss Hd.					
12	4711504-05				4-#8-32 x 3/16" Truss Hd.					
13	4649033(R&L)			6-4640845	4-164016					
				4-4643034						
14	4711508-09			8-4653662	8-#8-32 x 1/4" Truss Hd.					
				16-4667804						
15	4711506-07			8-4653662	8-#8-32 x 1/4" Truss Hd.					
				16-4667804						
16	518658			12-514574						
17	523732			6-520414						
18	4649661-62			12-4640845	2-#8-32 x 3/8" Flat Hd.					
19	4711475-76	4-4673604		12-4667804				4-4621332		
20	4711124(R.H.) (FRT.)	1-4673604		8-4667804				1-4621332		
	4711125(L.H.)	1-4673604		4-4667804				1-4621332		
21	4711491			2-4653662	2-#8-32 x 1/4" Truss Hd.	2-120391				
22	4711493(RR.) (L.H.)	2-4673604		1-4667804				2-4621332		
23	524672							6-446059	2-523165	
									2-523167	



CODE	MOLDING NO.	BOLT & CLIP	BOLT	CLIP	SCREW	WASHER	NUT	SPACER	RETAINER	STUD & CLIP
------	-------------	-------------	------	------	-------	--------	-----	--------	----------	-------------

NUMBER PRECEDING ATTACHING PART NUMBER INDICATES QUANTITY REQUIRED PER CAR

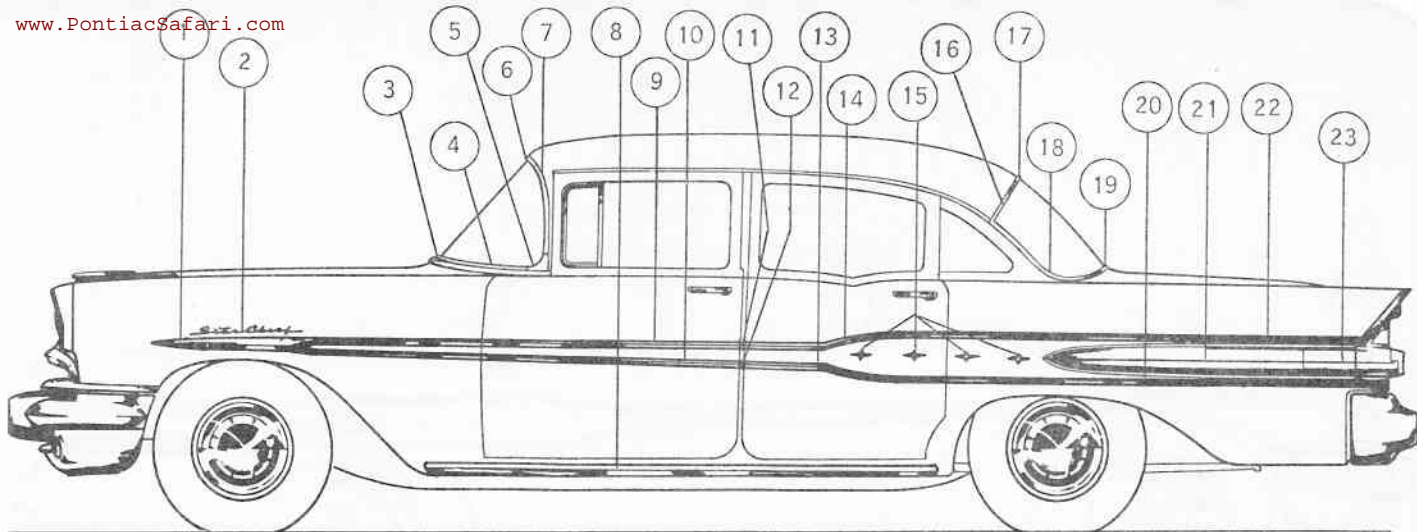
1	524629-30			4-524749				14-446059		4-524661 8-524668 10-3700044
2	524675							8-4615081		
3	4654578(E)									
4	4687819-20	2-4665343		1-4676693						
				2-4655478	3-445974			2-4644959		
5	4661890-91				2-169180					
6	4646446(E)									
7	4654613-14				2-169180					
8	4711114-15			20-4667804	8-#8-32 x 1/4"Truss Hd.					
				8-4653662						
9	4711114-15			20-4667804	8-#8-32 x 1/4"Truss Hd.					
				8-4653662						
10	518658			12-514574						
11	523732			6-520414						
12	4711126(R.H.) (FRT.) 4711127(L.H.)	2-4673604 3-4673604		9-4667804 6-4667804				2-4621332 3-4621332		
13	4711491			2-4653662	2-#8-32 x 1/4"Truss Hd.	2-120391				
14	4711487-88	2-4673604		18-4667804				2-4621332		
15	(RR.) 4711493(L.H.)	2-4673604		1-4667804				2-4621332		
16	524672							4-446059		2-523165 2-523167



CODE	MOLDING NO.	BOLT & CLIP	BOLT	CLIP	SCREW	WASHER	NUT	SPACER	RETAINER	STUD & CLIP
------	-------------	-------------	------	------	-------	--------	-----	--------	----------	-------------

NUMBER PRECEDING ATTACHING PART NUMBER INDICATES QUANTITY REQUIRED PER CAR

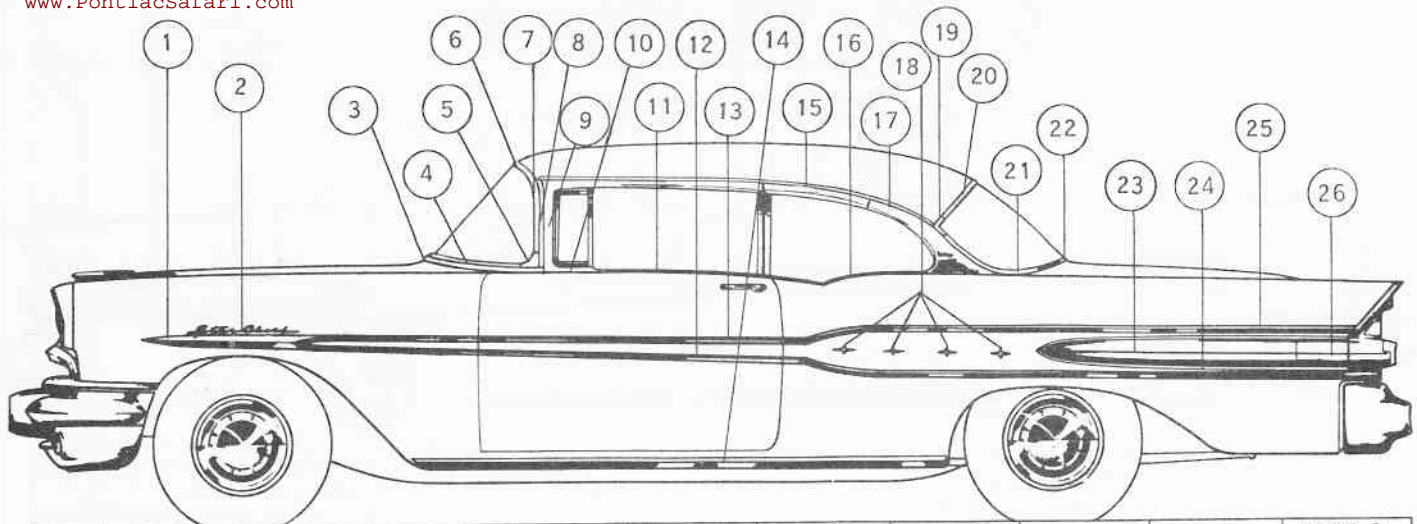
1	524629-30			4-524749				14-446059	4-524661	
									8-524668	
									10-3700044	
2	523642							8-4615081		
3	4654578(E)									
4	4687819-20	2-4665343		1-4676693						
				2-4655478	3-445974			2-4644959		
5	4649993-94				2-#8-32 x 3/4" Flat Hd.					
6	4654615-16				2-169180					
7	4646446(E)									
8	4661927-28				6-#8-32 x 3/8" Flat Hd.					
9	4680027-28				4-4666209					
10	4658518-19				10-431601					
11	4658522-23				6-#8-18 x 3/4" Oval Hd.					
12	524615-16							2-446059	14-523964	
									2-524660	
13	4711114-15			20-4667804	8-#8-32 x 1/4" Truss Hd.					
				8-4653662						
14	4711114-15			20-4667804	8-#8-32 x 1/4" Truss Hd.					
				8-4653662						
15	4C63159-60				12-442610					
16	518658				12-514574					
17	4663157-58				2-145420					
					8-442610					
18	4663331-32				2-#8-15 x 1 1/4" Flat Hd.					
					8-442610					
19	523329(R.H.)							10-446059	10-523497	
	523330(L.H.)							8-446059	8-523497	
20	4663333-34				10-442610					
21	4711487-88	2-4673604		18-4667804				2-4621332		
22	4682461-62				4-#8-32 x 5/16" Truss Hd.					
23	4711483-84	4-4673604		18-4667804				4-4621332		
24	523732			6-520414						
25	523496							4-446059	4-523497	



CODE	MOLDING NO.	BOLT & CLIP	BOLT	CLIP	SCREW	WASHER	NUT	SPACER	RETAINER	STUD & CLIP
------	-------------	-------------	------	------	-------	--------	-----	--------	----------	-------------

NUMBER PRECEDING ATTACHING PART NUMBER INDICATES QUANTITY REQUIRED PER CAR

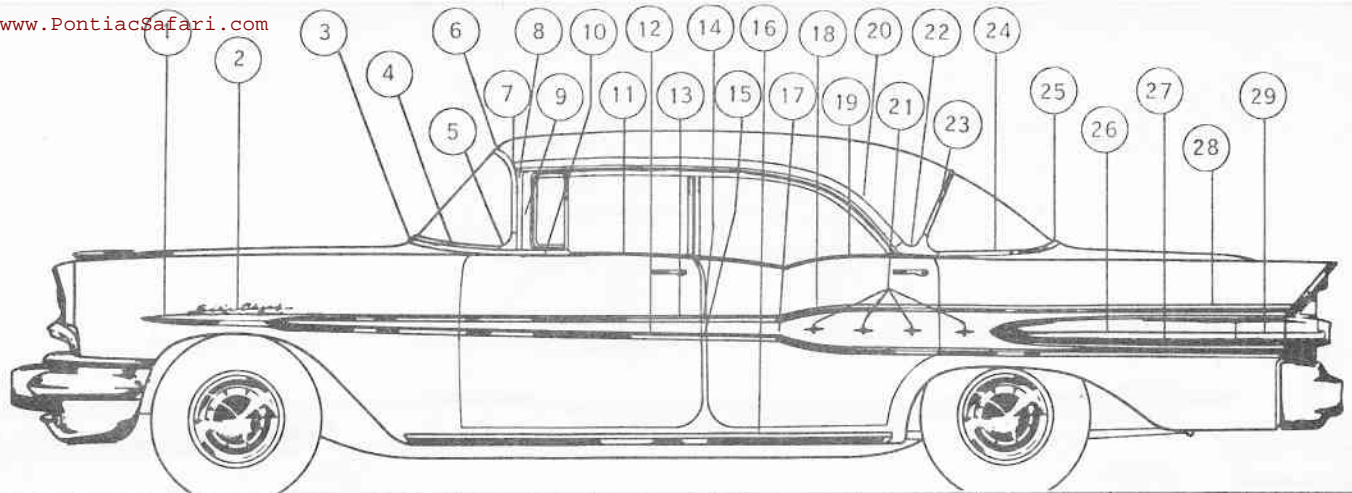
1	524629-30			4-524749					14-446059	4-524661 8-524668 10-3700044
2	523642								8-4615081	
3	4654578(E)									
4	4687819-20	2-4665343		1-4676693 2-4655478	3-445974		2-4644959			
5	4649993-94				2-#8-32 x 3/8" Flat Hd. 2-169180					
6	4646446(E)									
7	4654613-14				2-169180					
8	524617-18						2-446059			14-523964 2-524660
9	4711116-17			16-4667804	8-#8-32 x 1/4" Truss Hd. 8-4653662					
10	4711116-17			16-4667804	8-#8-32 x 1/4" Truss Hd. 8-4653662					
11	4711504-05				4-#8-32 x 3/16" Truss Hd.					
12	4711504-05				4-#8-32 x 3/16" Truss Hd.					
13	4711508-09			8-4653662	8-#8-32 x 1/4" Truss Hd. 16-4667804					
14	4711506-07			8-4653662	8-#8-32 x 1/4" Truss Hd. 16-4667804					
15	518658			16-514574						
16	4646945-46			8-4657731						
17	4647354(E)									
18	4646943-44			2-4657731						
19	4647160(E)									
20	4711469-70	2-4673604		18-4667804			2-4621332			
21	523329(R.H.) 523330(L.H.)						10-446059 8-446059			10-523497 8-523497
22	4711477-78	4-4673604		14-4667804			4-4621332			
23	523496						4-446059			4-523497



CODE	MOLDING NO.	BOLT & CLIP	BOLT	CLIP	SCREW	WASHER	NUT	SPACER	RETAINER	STUD & CLIP
------	-------------	-------------	------	------	-------	--------	-----	--------	----------	-------------

NUMBER PRECEDING ATTACHING PART NUMBER INDICATES QUANTITY REQUIRED PER CAR

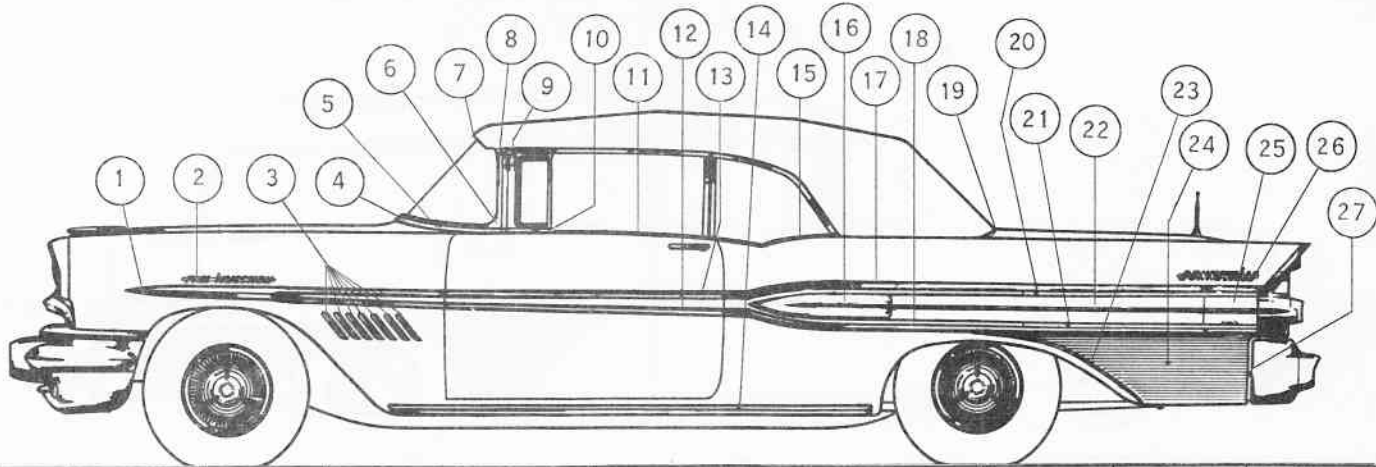
1	524629-30			4-524749			14-446059		4-524661	
									8-524668	
									10-3700044	
2	523642						8-4615081			
3	4654578(E)									
4	4687819-20	2-4665343		1-4676693						
				2-4655478	3-445974		2-4644959			
5	4649993-94				2-169180 2-#8-32 x 3/8" Flat Hd.					
6	4646446(E)									
7	4654615-16				2-169180 6-#8-32 x 3/8" Flat Hd.					
8	4648756-57									
9	4648236-37				4-4666209					
10	4686948-49				2-4666209					
11	4649323-24				12-431601					
12	4711114-15			20-4667804	8 #8-32 x 1/4" Truss Hd.					
				8-4653662						
13	4711114-15			20-4667804	8-#8-32 x 1/4" Truss Hd.					
				8-4653662						
14	524617-18						2-446059		14-523964	
									2-524660	
15	4649928-29				10-145417					
16	4649366-67				10-446869					
17	4650064-65				2-431601					
					2-446869		6-#8-32 "J"			
18	518658			16-514574						
19	4648755					2-#6 Ext.	2-134530			
20	4648489			8-4657731						
21	4648254-55			14-4657731						
22	4647160(E)									
23	523329(R.H.)						10-446059		10-523497	
	523330(L.H.)						8-446059		8-523497	
24	4711489-90	4-4673604		20-4667804			4-4621332			
25	4711485-86	4-4673604		20-4667804			4-4621332			
26	523496						4-446059		4-523497	



CODE	MOLDING NO.	BOLT & CLIP	BOLT	CLIP	SCREW	WASHER	NUT	SPACER	RETAINER	STUD & CLIP
------	-------------	-------------	------	------	-------	--------	-----	--------	----------	-------------

NUMBER PRECEDING ATTACHING PART NUMBER INDICATES QUANTITY REQUIRED PER CAR

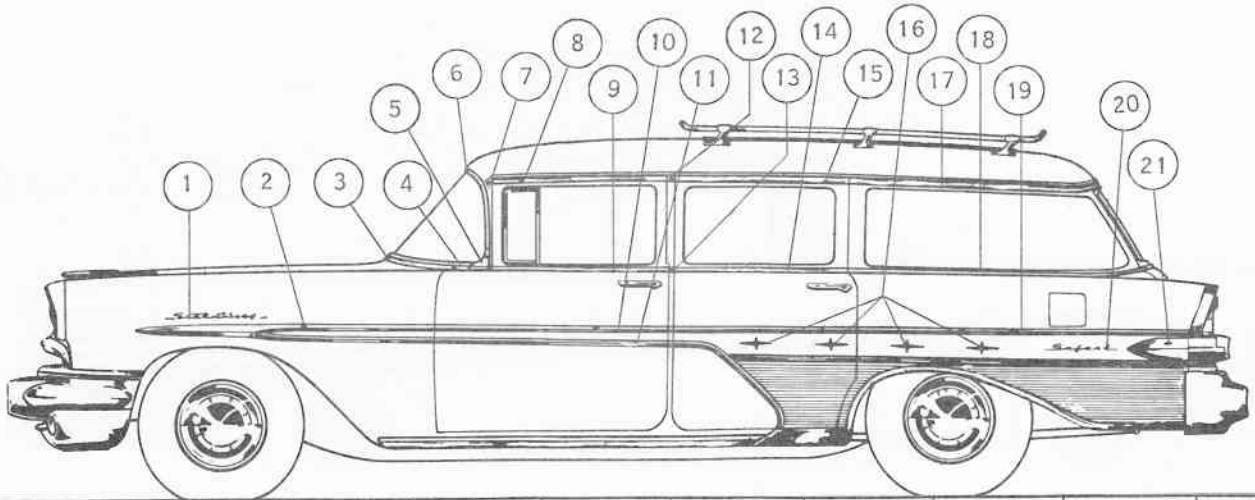
1	524629-30			4-524749				14-446059	4-524661	
									8-524668	
									10-3700044	
2	523642							8-4615081		
3	4654578(E)									
4	4687819-20	2-4665343		1-4676693						
				2-4655478	3-445974			2-4644959		
5	4649993-94				2-169180					
					2-#8-32 x 3/8" Flat Hd.					
6	4646446(E)									
7	4654615-16				2-169180					
					6-#8-32 x 3/8" Flat Hd.					
8	4671716-17									
9	4680027-28				4-4666209					
10	4669779-80				2-4666209					
11	4669781-82				8-431601					
12	4711118-19			8-4653662	8-#8-32 x 1/4" Truss Hd.					
				16-4667804						
13	4711118-19			8-4653662	8-#8-32 x 1/4" Truss Hd.					
				16-4667804						
14	4711502-03				4-#8-32 x 3/16" Truss Hd.					
15	4711502-03				4-#8-32 x 3/16" Truss Hd.					
16	524617-18							2-446059	14-523964	
									2-524660	
17	4711512-13			8-4653662	8-#8-32 x 1/4" Truss Hd.					
				20-4667804						
18	4711510-11			8-4653662	8-#8-32 x 1/4" Truss Hd.					
				20-4667804						
19	4669898-99				12-431601					
20	4671323-24				12-#8-15 x 5/16" Pan Hd.					
21	518658			16-514574						
22	4671740-41				2-#8-15 x 5/16" Pan Hd.					
23	4671357			12-4657731	2-#8-15 x 5/16" Pan Hd.					
24	4670930-31			12-4657731						
25	4671619(E)									
26	523329(R.H.)							10-446059	10-523497	
	523330(L.H.)							8-446059	8-523497	
27	4711481-82	4-4673604		12-4667804				4-4621332		
28	4711473-74	4-4673604		14-4667804				4-4621332		
29	523496							4-446059	4-523497	



CODE	MOLDING NO.	BOLT & CLIP	BOLT	CLIP	SCREW	WASHER	NUT	SPACER	RETAINER	STUD & CLIP
------	-------------	-------------	------	------	-------	--------	-----	--------	----------	-------------

NUMBER PRECEDING ATTACHING PART NUMBER INDICATES QUANTITY REQUIRED PER CAR

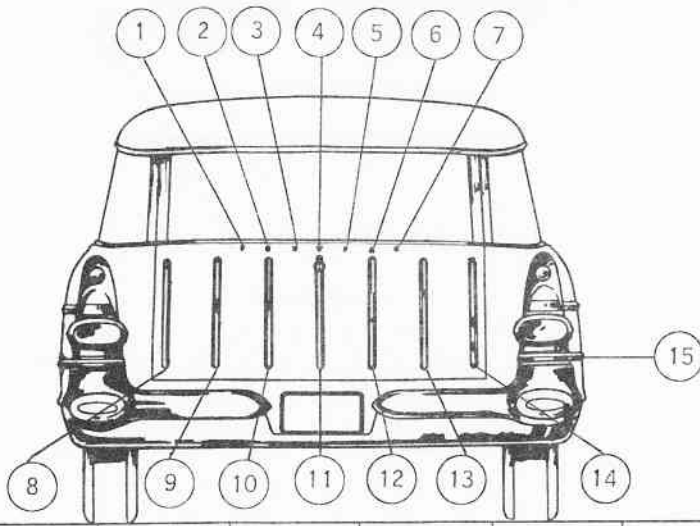
1	528381-82								14-524908 4-524661	
2	528617-18						10-4615081			
3	528748-49						28-528606 w/sealer			
4	4654578 (E)									
5	4687819-20	2-4665343		1-4676693 2-4655478	3-445974		2-4644959			
6	4648764-65				4-#8-32 x 3/8" Flt. Hd.					
7	4648250				2-#8-32 x 3/8" Flt. Hd.					
8	4649393-94				6-#8-32 x 3/8" Flt. Hd.					
9	4680027-28				4-4666209					
10	4649321-22				2-431601 2-4666209					
11	4649323-24				12-431601					
12	4715913-14			8-4718167 20-4667804	8-#8-32 x 5/16" Truss Hd					
13	4715913-14			8-4718167 20-4667804	8-#8-32 x 5/16" Truss Hd					
14	524617-18								14-523964 2-446059 2-524660	
15	4649064-65				8-4662875					
16	4714978-79						14-4629828			
17	4715915-16	6-4673604 20-4670172					6-4621332			
18	4715917-18	16-4673604		10-4670172			16-4621332			
19	4649652-53			14-4654206	1-4662875					
20	4719230-31				4-128270					
21	4719232-33				2-128270 (R) 3-128270 (L)					
22	4714981-82							12-4646559 (L) 14-4646559 (R)		
23	4714976-77		12-4716426					12-4707303		
24	4714983-84				4-128270					
25	4714980									
26	528532 (R) 528339 (L)			4-520414 4-520414						
27	4715013-14		8-4716426					8-4648283		



CODE	MOLDING NO.	BOLT & CLIP	BOLT	CLIP	SCREW	WASHER	NUT	SPACER	RETAINER	STUD & CLIP
------	-------------	-------------	------	------	-------	--------	-----	--------	----------	-------------

NUMBER PRECEDING ATTACHING PART NUMBER INDICATES QUANTITY REQUIRED PER CAR

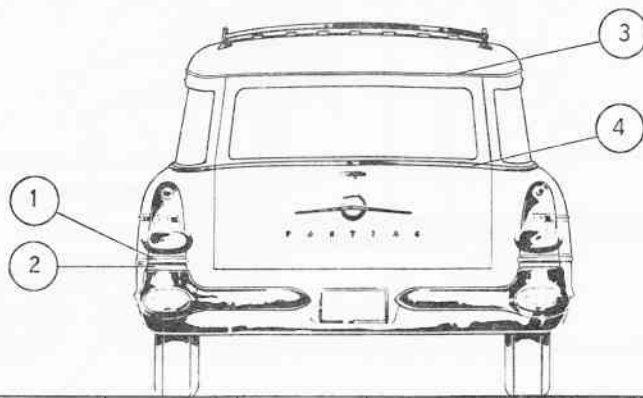
1	524673						8-4615081			
2	524629-30			4-524749			14-446059		4-524661	
									8-524668	
									10-3700044	
3	4654578 (E)									
4	4687819-20	2-4665343		2-4676693						
				2-4655478	3-445974		2-4644959			
5	4649993-94				2-169180					
					2-#8-32 x 3/8" Flt Hd.					
6	4646446 (E)									
7	4648200-01				6-#8-32 x 1/4" Pan Hd.					
8	4643472-73			4-4643034	4-#8-32 x 5/16" Truss Hd					
				6-4703806						
9	4643355(R&L)			4-4643034	4-164016					
				6-4640845						
10	4711116-17			16-4667804	8-#8-32 x 1/4" Truss Hd					
				8-4718167						
11	4711116-17			16-4667804	8-#8-32 x 1/4" Truss Hd					
				8-4718167						
12	4643177(R&L)			2-4643486			2-4629828			
13	4714706-07				2-#8-32 x 1/4" Pan Hd.					
14	4649033(R&L)			6-4640845	4-164016					
				4-4643034						
15	4648697(R&L)			4-4643034	4-455557					
				6-4703806						
16	4714648			24-4673626						
17	4649657-58			8-4667442	10-274549					
				2-4703806						
18	4649661-62			12-4640845	2-#8-32 x 3/8" Flt Hd					
19	4718170-71	1-4673604(R) 3-4673604(L)					4-4621332			
				16-4667804						
20	523732 (R&L)			6-520414						
21	524672 (R&L)						6-446059		2-523165 2-523167	



CODE	MOLDING NO.	BOLT & CLIP	BOLT	CLIP	SCREW	WASHER	NUT	SPACER	RETAINER	STUD & CLIP
------	-------------	-------------	------	------	-------	--------	-----	--------	----------	-------------

NUMBER PRECEDING ATTACHING PART NUMBER INDICATES QUANTITY REQUIRED PER CAR

1	520774			2-520414						
2	520775			2-520414						
3	520776			2-520414						
4	520777			2-520414						
5	520778			2-520414						
6	520779			2-520414						
7	520780			2-520414						
8	4658499			5-4595034						
9	4658499			5-4595034						
10	4658499			5-4595034						
11	4671779			3-4595034						
12	4658499			5-4595034						
13	4658499			5-4595034						
14	4658499			5-4595034						
15	524626-27				4-451625		4-516711			



CODE	MOLDING NO.	BOLT & CLIP	BOLT	CLIP	SCREW	WASHER	NUT	SPACER	RETAINER	STUD & CLIP
------	-------------	-------------	------	------	-------	--------	-----	--------	----------	-------------

NUMBER PRECEDING ATTACHING PART NUMBER INDICATES QUANTITY REQUIRED PER CAR

CODE	MOLDING NO.	BOLT & CLIP	BOLT	CLIP	SCREW	WASHER	NUT	SPACER	RETAINER	STUD & CLIP
1	4711500-01				4-451625		4-516711			
2	4713792-93				4-#8-16 x 5/16" Pan Hd.					
3	4648554			2-4643034	4-128270					
				3-4667441	2-#8-32 x 5/16" Truss Hd.					
4	4648474			2-4643034	3-274549					
				3-4667442	2-455557					
					3-274549					