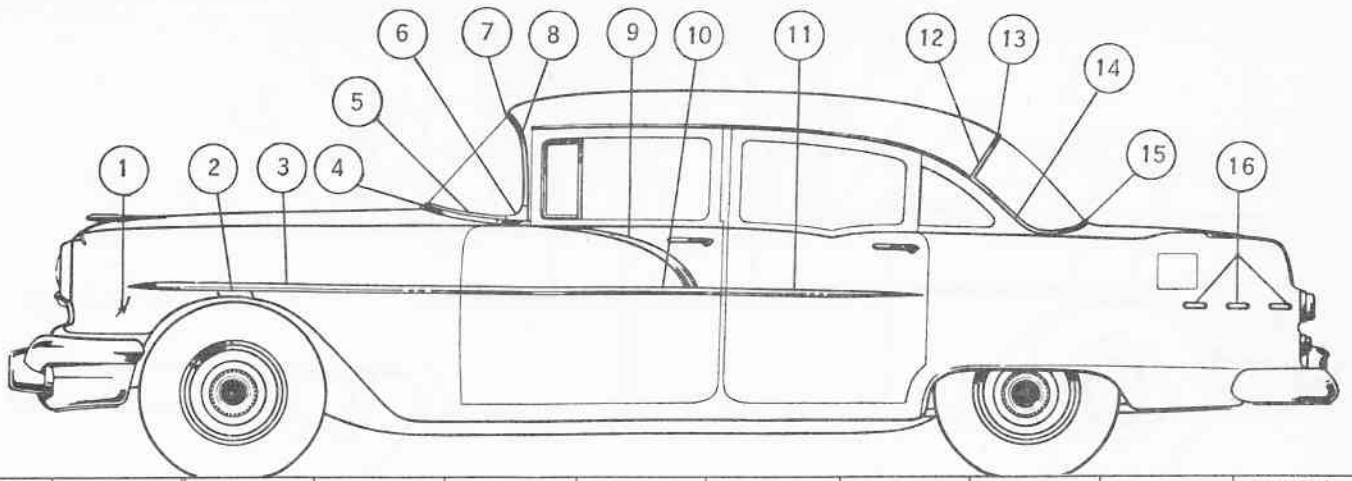


CODE	MOLDING NO.	BOLT & CLIP	BOLT	CLIP	SCREW	WASHER	NUT	SPACER	RETAINER	STUD & CLIP
------	-------------	-------------	------	------	-------	--------	-----	--------	----------	-------------

NUMBER PRECEDING ATTACHING PART NUMBER INDICATES QUANTITY REQUIRED PER CAR

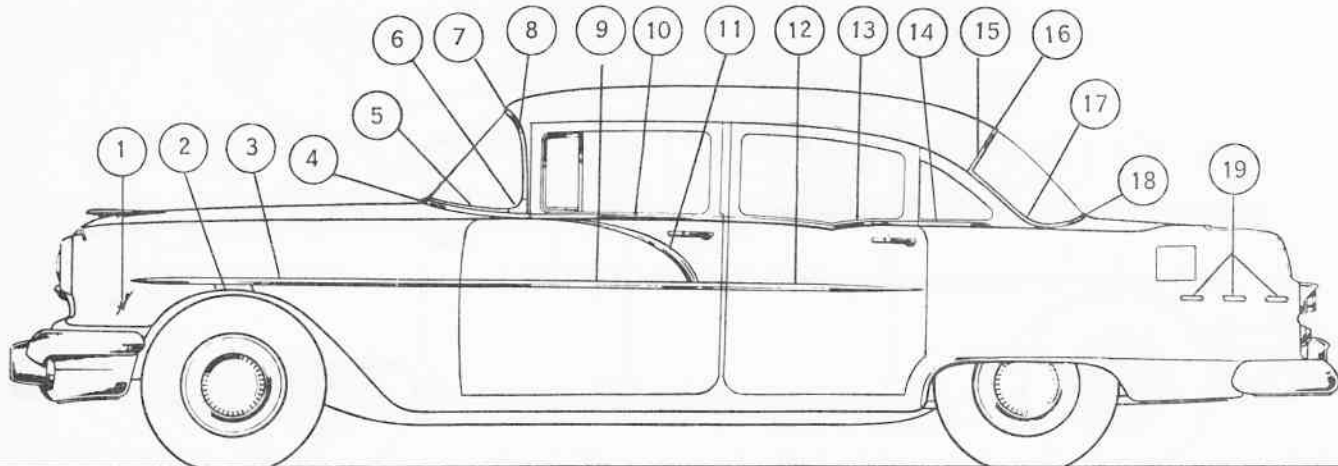
1	522556								4-4615081	
2	521468-69				4-444267	4-120391	4-519912			
3	521416-17			2-522796			10-446059		10-3700044	
4	4654578(E)									
5	4646490-91	2-4665343		2-4655478	3-445974		2-4644959			
				1-4676693	4-169180					
6	4661890-91				2-169180					
7	4646446(E)									
8	4654613-14				2-169180					
9	4667456-57			4-4672948	4-164016					
				12-4667548						
10	4667947-48	2-4637277		2-4672958			2-4621332			2-4678068
				2-4653296						
				10-4695084						
11	4667696-97	2-4637277	2-4565200	4-4674640			4-4621332			
12	4646945-46			8-4657731						
13	4647354(E)									
14	4646943-44			12-4657731						
15	4647160(E)									
16	6-521238			12-520414						



CODE	MOLDING NO.	BOLT & CLIP	BOLT	CLIP	SCREW	WASHER	NUT	SPACER	RETAINER	STUD & CLIP
------	-------------	-------------	------	------	-------	--------	-----	--------	----------	-------------

NUMBER PRECEDING ATTACHING PART NUMBER INDICATES QUANTITY REQUIRED PER CAR

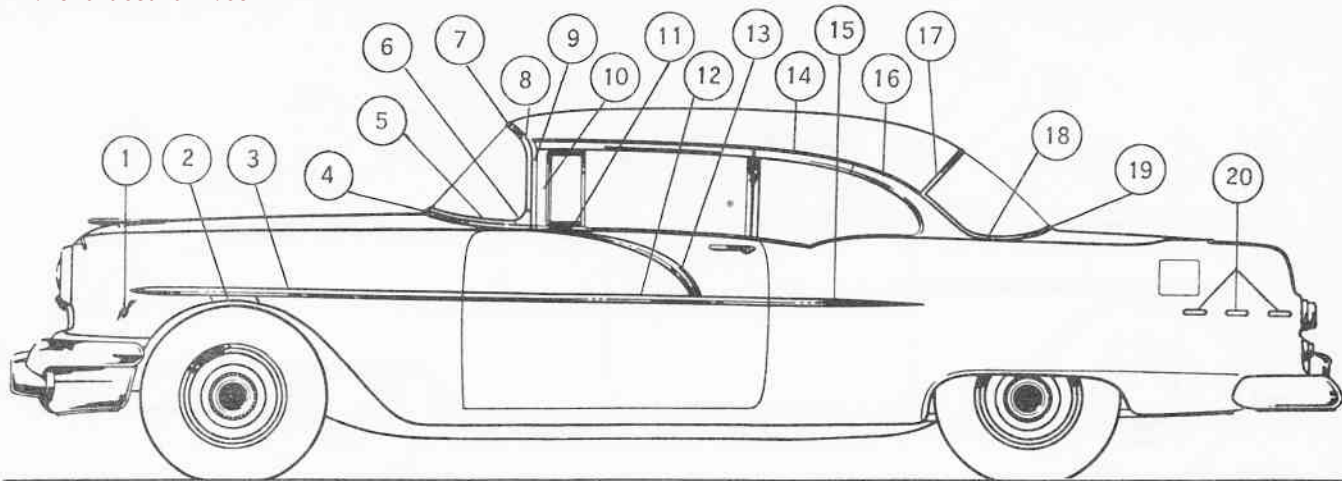
1	522556						4-4615081			
2	521468-69				4-444267	4-120391	4-519912			
3	521416-17			2-522796			10-446059		10-370044	
4	4654578(E)									
5	4646490-91	2-4665343		1-4676693	3-445974		2-4644959			
				2-4655478	4-169180					
6	4661890-91				2-169180					
7	4646446(E)									
8	4654613-14				2-169180					
9	4667947-48	2-4637277		2-4672958			2-4621332			2-4678068
				2-4653296						
				10-4695084						
10	4667452			10-4667548	4-164016					
				4-4672948						
11	4667621-22		2-4565200	2-4672948	2-164016		2-4621332			
				6-4674640						
12	4646945-46			8-4657731						
13	4647354(E)									
14	4646943-44			12-4657731						
15	4647160(E)									
16	6-521238			12-520414						



CODE	MOLDING NO.	BOLT & CLIP	BOLT	CLIP	SCREW	WASHER	NUT	SPACER	RETAINER	STUD & CLIP
------	-------------	-------------	------	------	-------	--------	-----	--------	----------	-------------

NUMBER PRECEDING ATTACHING PART NUMBER INDICATES QUANTITY REQUIRED PER CAR

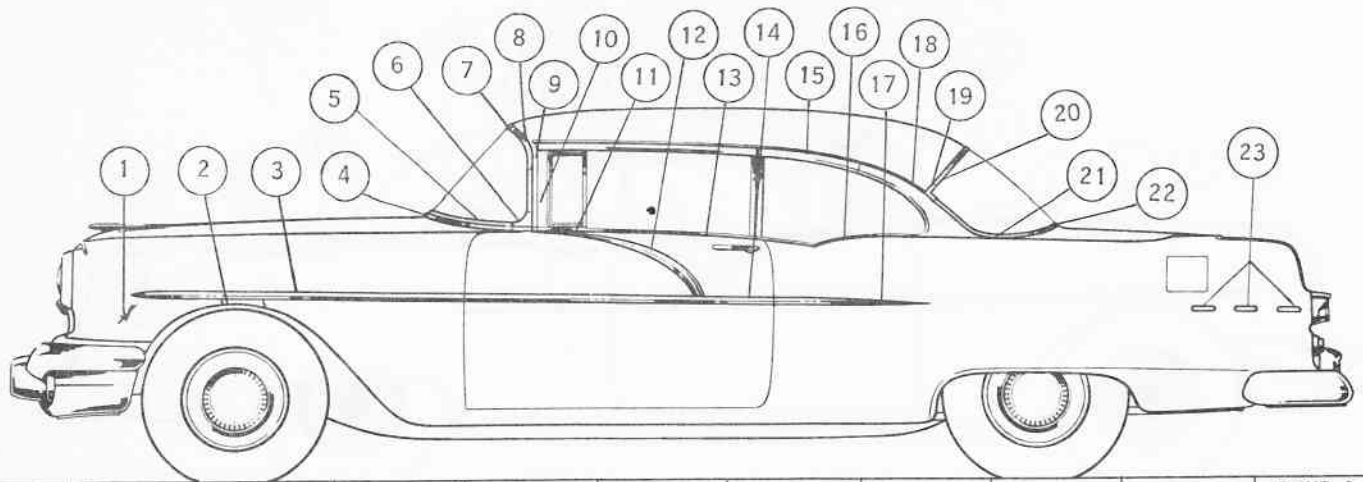
1	522556						4-4615081			
2	521468-69				4-444267	4-120391	4-519912			
3	521416-17			2-522796			10-446059		10-3700044	
4	4654578(E)									
5	4646490-91	2-4665343		1-4676693	3-445974		2-4644959			
				2-4655478	4-169180					
6	4649993-94				2-#8-32 x 3/8" Flat Hd.					
					2-169180					
7	4646446(E)									
8	4654613-14				2-169180					
9	4667452			10-4667548	4-164016					
				4-4672948						
10	4643355			4-4643034	4-164016					
				12-4640845						
11	4667947-48	2-4637277		2-4672958			2-4621332			2-4678068
				2-4653296						
				10-4695084						
12	4667621-22		2-4565200	2-4672948	2-164016		2-4621332			
				6-4674640						
13	4643397-98			14-4640845	4-164016					
				4-4643034						
14	4654247-48			4-4640845						
15	4646945-46			8-4657731						
16	4647354(E)									
17	4646943-44			12-4657731						
18	4647160(E)									
19	6-521238			12-520414						



CODE	MOLDING NO.	BOLT & CLIP	BOLT	CLIP	SCREW	WASHER	NUT	SPACER	RETAINER	STUD & CLIP
------	-------------	-------------	------	------	-------	--------	-----	--------	----------	-------------

NUMBER PRECEDING ATTACHING PART NUMBER INDICATES QUANTITY REQUIRED PER CAR

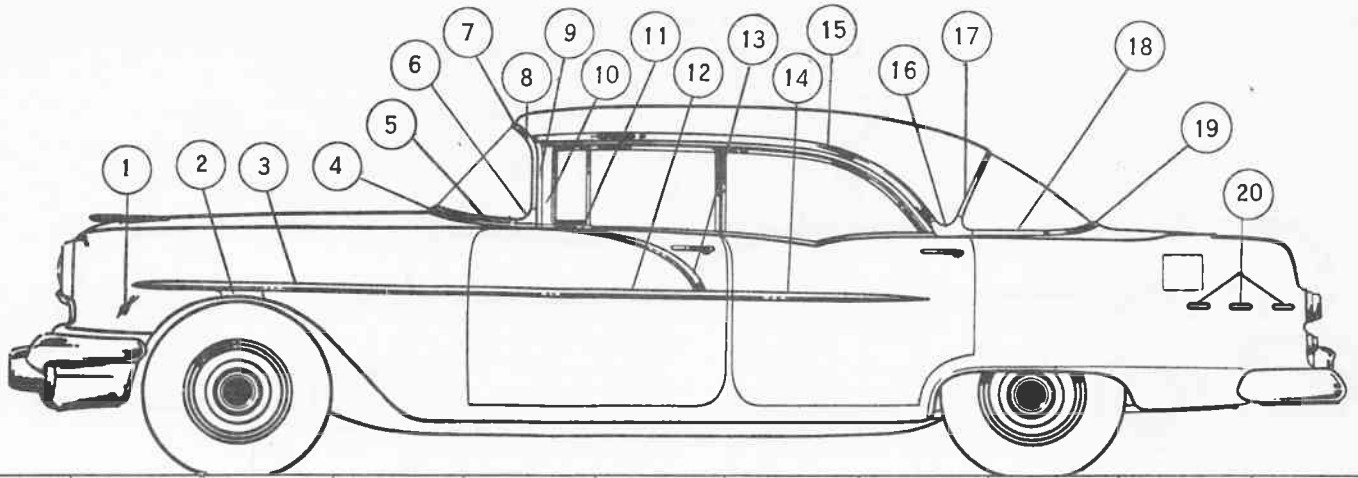
1	522556						4-4615081			
2	511468-69				4-444267	4-120391	4-519912			
3	521416-17			2-522796			10-446059		10-3700044	
4	4654578(E)									
5	4646490-91	2-4665343		1-4676693	3-445974		2-4644959			
				2-4655478	4-169180					
6	4649993-94				2-#8-32 x 3/8" Flat Hd.					
					2-169180					
7	4646446(E)									
8	4654615-16				2-169180					
9	4648756-57				6-#8-32 x 3/8" Flat Hd.					
10	4648236-37				4-4666209					
11	4677120-21				2-4666209					
12	4667456-57			4-4672948	4-164016					
				12-4667548						
13	4667947-48	2-4637277		2-4672958			2-4621332			2-4678068
				2-4653296						
				10-4695084						
14	4649928-29				10-145417					
15	4667696-97	2-4637277	2-4565200	2-4674640			4-4621332			
16	4678200-01				2-#8-15 x 3/8" Pan Hd.		6-#8-32 "J"			
					2-431601					
17	4648489			8-4657731						
18	4648254-55			14-4657731						
19	4647160(E)									
20	6-521238			12-520414						



CODE	MOLDING NO.	BOLT & CLIP	BOLT	CLIP	SCREW	WASHER	NUT	SPACER	RETAINER	STUD & CLIP
------	-------------	-------------	------	------	-------	--------	-----	--------	----------	-------------

NUMBER PRECEDING ATTACHING PART NUMBER INDICATES QUANTITY REQUIRED PER CAR

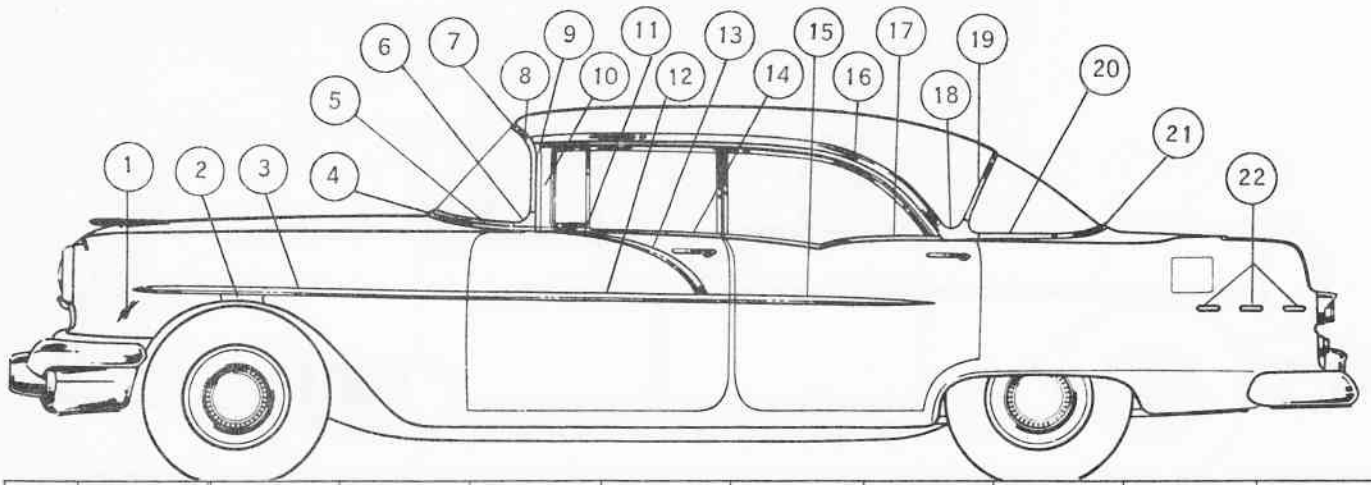
1	522556									4-4615081
2	521468-69				4-444267	4-120391	4-519912			
3	521416-17			2-522796			10-446059		10-3700044	
4	4654578(E)									
5	4646490-91	2-4665343		1-4676693	3-445974		2-4644959			
				2-4655478	4-169180					
6	4649993-94				2-#8-32 x 3/8" Flat Hd.					
					2-169180					
7	4646446(E)									
8	4654615-16				2-169180					
9	4648756-57				6-#8-32 x 3/8" Flat Hd.					
10	4648236-37				4-4666209					
11	4649321-22				2-4666209					
12	4667947-48	2-4637277		2-4672958			2-4621332			2-4678068
				2-4653296						
				10-4695084						
13	4649323-24				12-431601					
14	4667456-57			4-4672948	4-164016					
				12-4667548						
15	4649928-29				10-145417					
16	4649366-67				10-446869					
17	4667696-97	2-4637277	2-4565200	2-4674640			2-4621332			
18	4650064-65				2-446869		6-#8-32 "J"			
					2-431601					
19	4648755					2-138473	2-134530			
20	4648489			8-4657731						
21	4648254-55			14-4657731						
22	4647160(E)									
23	6-521238			12-520414						



CODE	MOLDING NO.	BOLT & CLIP	BOLT	CLIP	SCREW	WASHER	NUT	SPACER	RETAINER	STUD & CLIP
------	-------------	-------------	------	------	-------	--------	-----	--------	----------	-------------

NUMBER PRECEDING ATTACHING PART NUMBER INDICATES QUANTITY REQUIRED PER CAR

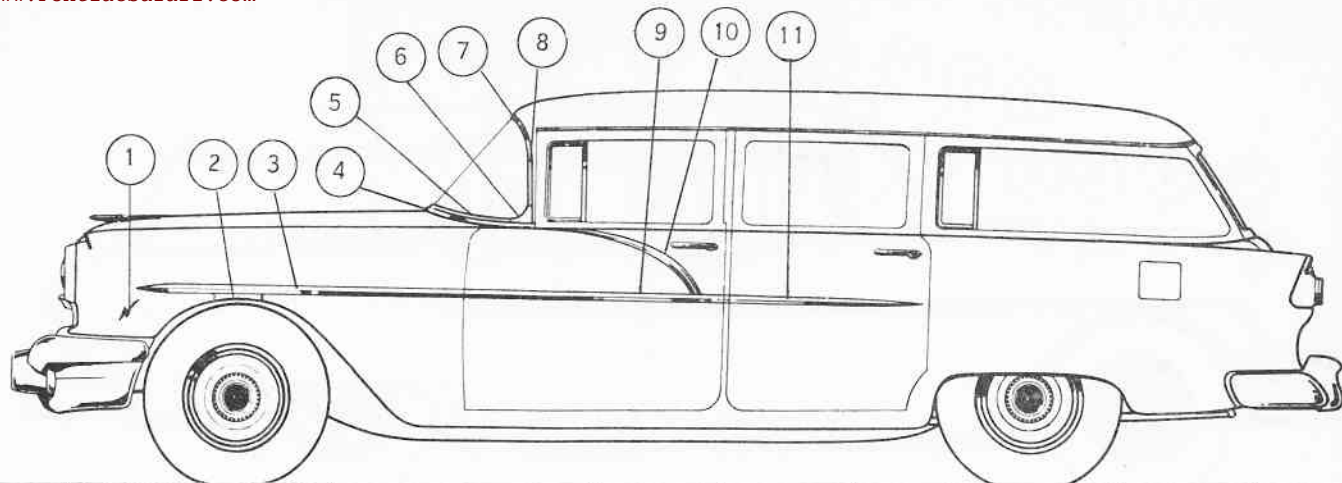
1	522556						4-4615081			
2	521468-69				4-444267	4-120391	4-519912			
3	521416-17			2-522796			10-446059		10-3700044	
4	4654578(E)									
5	4646490-91	2-4665343		1-4676693	3-445974		2-4644959			
				2-4655478	4-169180					
6	4649993-94				2-169180					
					2-#8-32 x 3/8" Flat Hd.					
7	4646446(E)									
8	4654615-16				2-169180					
9	4671716-17				6-#8-32 x 3/8" Flat Hd.					
10	4680027-28				4-4666209					
11	4676850-51				2-4666209					
12	4667452			10-4667548	4-164016					
				4-4672948						
13	4667947-48	2-4637277		2-4672958			2-4621332			2-4678068
				2-4653296						
				10-4695084						
14	4667621-22		2-4565200	2-4672958	4-164016		2-4621332			2-4674215
				2-4672948						
				2-4674640						
15	4671323-24				12-#8-15 x 5/16" Pan Hd.					
16	4671740-41				2-#8-15 x 5/16" Pan Hd.					
17	4671357			12-4657731	2-#8-15 x 5/16" Pan Hd.					
18	4670930-31			12-4657731						
19	4671619(E)									
20	6-521238			12-520414						



CODE	MOLDING NO.	BOLT & CLIP	BOLT	CLIP	SCREW	WASHER	NUT	SPACER	RETAINER	STUD & CLIP
------	-------------	-------------	------	------	-------	--------	-----	--------	----------	-------------

NUMBER PRECEDING ATTACHING PART NUMBER INDICATES QUANTITY REQUIRED PER CAR

CODE	MOLDING NO.	BOLT & CLIP	BOLT	CLIP	SCREW	WASHER	NUT	SPACER	RETAINER	STUD & CLIP
1	552556						4-4615081			
2	521468-69				4-444267	4-120391	4-519912			
3	521416-17			2-522796			10-446059		10-3700044	
4	4654578(E)									
5	4646490-91	2-4665343		1-4676693	3-445974		2-4644959			
				2-4655478	4-169180					
6	4649993-94				2-169180					
					2-#8-32 x 3/8" Flat Hd.					
7	4646446(E)									
8	4654615-16				2-169180					
9	4671716-17				6-#8-32 x 3/8" Flat Hd.					
10	4680027-28				4-4666209					
11	4669777-78				2-4666209					
12	4667454			10-4667548	4-164016					
				4-4672948						
13	4667947-48	2-4637277		2-4672958			2-4621332			2-4678068
				2-4653296						
				10-4695084						
14	4669781-82				8-431601					
15	4667621-22		2-4565200	2-4672958	4-164016		2-4621332			2-4674215
				2-4672948						
				2-4674640						
16	4671323-24				12-#8-15 x 5/16" Pan Hd.					
17	4669898-99				12-431601					
18	4671740-41				2-#8-15 x 5/16" Pan Hd.					
19	4671357			12-4657731	2-#8-15 x 5/16" Pan Hd.					
20	4670930-31			12-4657731						
21	4671619(E)									
22	6-521238			12-520414						

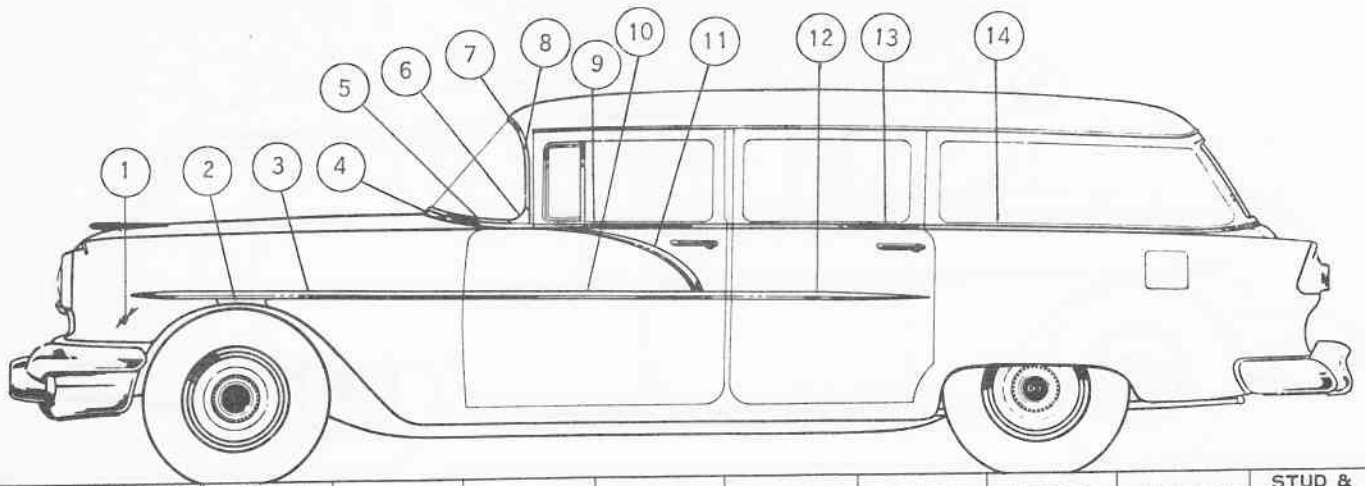


CODE	MOLDING NO.	BOLT & CLIP	BOLT	CLIP	SCREW	WASHER	NUT	SPACER	RETAINER	STUD & CLIP
------	-------------	-------------	------	------	-------	--------	-----	--------	----------	-------------

NUMBER PRECEDING ATTACHING PART NUMBER INDICATES QUANTITY REQUIRED PER CAR

1	522556						4-4615081			
2	521468-69				4-444267	4-120391	4-519912			
3	521416-17			2-522796			10-446059		10-3700044	
4	4654578(E)									
5	4646490-91	2-4665343		1-4676693	3-445974		2-4644959			
				2-4655478	4-169180					
6	4661890-91				2-169180					
7	4646446(E)									
8	4654613-14				2-169180					
9	4667452			10-4667548	4-164016					
				4-4672948						
10	4667947-48	2-4637277		2-4672958			2-4621332			2-4678068
				2-4653296						
				10-4695084						
11	4667621-22		2-4565200	2-4672948	2-164016		2-4621332			
				6-4674640						



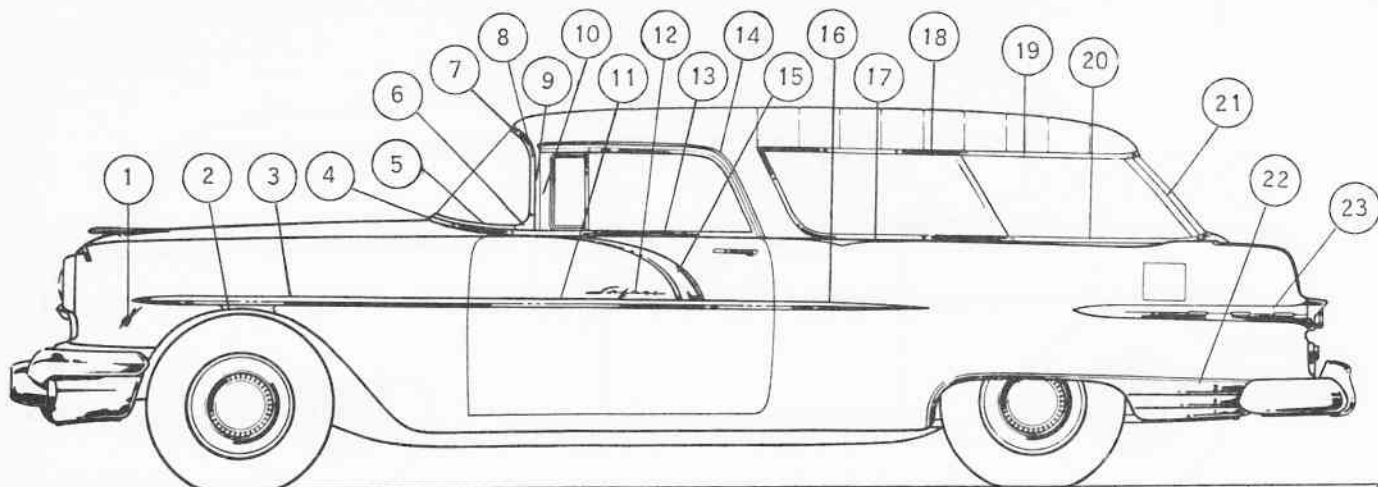


CODE	MOLDING NO.	BOLT & CLIP	BOLT	CLIP	SCREW	WASHER	NUT	SPACER	RETAINER	STUD & CLIP
------	-------------	-------------	------	------	-------	--------	-----	--------	----------	-------------

NUMBER PRECEDING ATTACHING PART NUMBER INDICATES QUANTITY REQUIRED PER CAR

1	522556							4-4615081		
2	521468-69				4-444267	4-120391	4-519912			
3	521416-17			2-522796			10-446059		10-3700044	
4	4654578(E)									
5	4646490-91	2-4665343		2-4655478	3-445974		2-4644959			
				1-4676693	4-169180					
6	4649993-94				2-#8-32 x 3/8" Flat Hd.					
					2-169180					
7	4646446(E)									
8	4654613-14				2-169180					
9	4643355R&L			4-4643034	4-164016					
				6-4640845						
10	4667452			10-4667548	4-164016					
				4-4672948						
11	4667947-48	2-4637277		2-4672958			2-4621332			2-4678068
				2-4653296						
				10-4695084						
12	4667621-22		2-4565200	2-4672948	2-164016		2-4621332			
				6-4674640						
13	4649033R&L			14-4640845	4-164016					
				4-4643034						
14	4649661-62			12-4640845	2-#8-32 x 3/8" Flat Hd.					

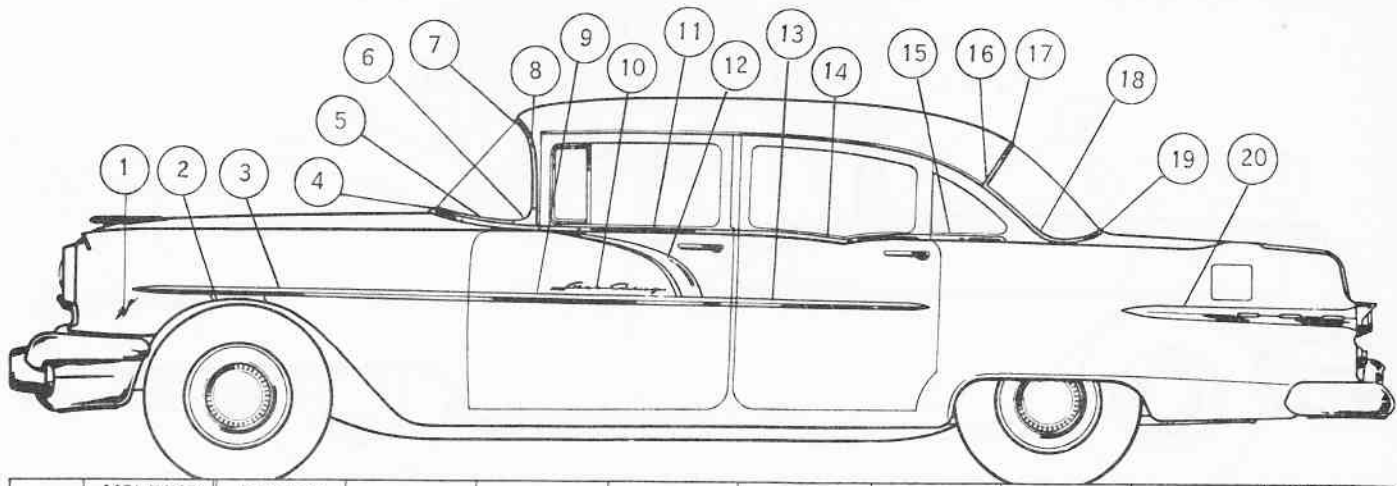




CODE	MOLDING NO.	BOLT & CLIP	BOLT	CLIP	SCREW	WASHER	NUT	SPACER	RETAINER	STUD & CLIP
------	-------------	-------------	------	------	-------	--------	-----	--------	----------	-------------

NUMBER PRECEDING ATTACHING PART NUMBER INDICATES QUANTITY REQUIRED PER CAR

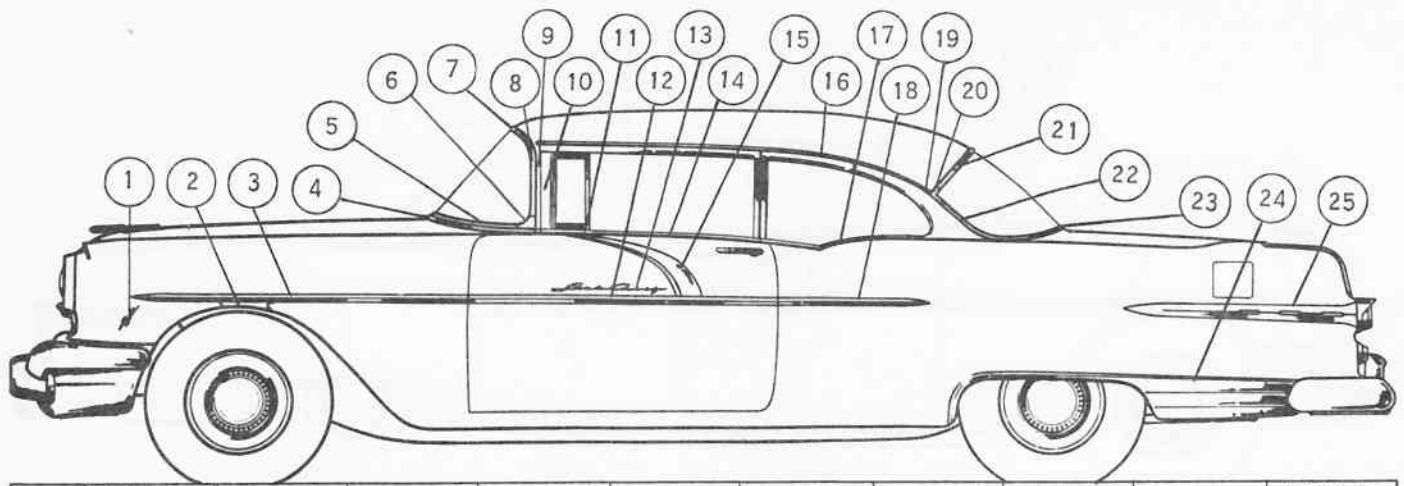
1	522556							4-4615081		
2	521468-69				4-444267	4-120391	4-519912			
3	521416-17			2-522796			10-446059		10-3700044	
4	4654578(E)									
5	4646490-91	2-4665343		1-4676693	3-445974		2-4644959			
				2-4655478	4-169180					
6	4649993-94				2-#8-32 x 3/4" Flat Hd.					
					2-169180					
7	4646446(E)									
8	4654615-16				2-169180					
9	4661927-28				6-#8-32 x 3/8" Flat Hd.					
10	4680027-28				4-4666209					
11	4667456-57			4-4672948	4-164016					
				12-4667548						
12	521595			10-4635016						
13	4658518-19				10-431601					
14	4658522-23				6-#8-18 x 3/4" Oval Hd.					
					6-111633					
15	4667957-58	2-4670023		4-4674640	2-445974		4-4621332			
		4-4673143								
16	4667696-97	2-4637277	2-4565200	4-4674640			4-4621332			
17	4663159-60				12-442610					
18	4663157-58				2-145420					
					8-442610					
19	4663331-32				8-442610					
					2-#8-15 x 1-1/4" Flat Hd.					
20	4663333-34				10-442610					
21	4682461-62				4-#8-32 x 5/16" Truss Hd					
					6-442610					
22	521316-17			4-4674640			20-446059	14-519656	8-519652	
							4-4621332		2-519653	
									2-519654	
									2-520523	
23	521314-15						8-446059		2-521325	
									2-521327	
									2-521328	



CODE	MOLDING NO.	BOLT & CLIP	BOLT	CLIP	SCREW	WASHER	NUT	SPACER	RETAINER	STUD & CLIP
------	-------------	-------------	------	------	-------	--------	-----	--------	----------	-------------

NUMBER PRECEDING ATTACHING PART NUMBER INDICATES QUANTITY REQUIRED PER CAR

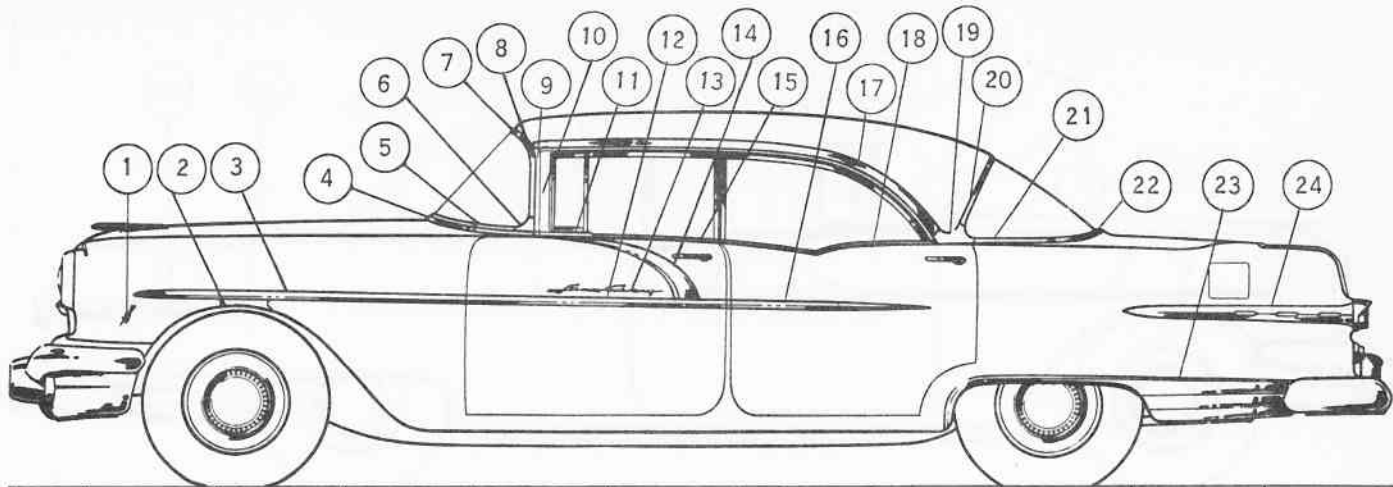
1	522556								4-4615081	
2	521468-69				4-444267	4-120391			4-519912	
3	521416-17			2-522796					10-446059	10-3700044
4	4654578(E)									
5	4646490-91	2-4665343		2-4655478	3-445974				2-4644959	
				1-4676693	4-169180					
6	4649993-94				2-#8-32 x 3/8" Flat Hd.					
					2-169180					
7	4646446(E)									
8	4654613-14				2-169180					
9	4667452			10-4667548	4-164016					
				4-4672948						
10	521435-36			20-4635016						
11	4643355R&L			4-4643034	4-164016					
				12-4640845						
12	4667957-58	2-4670023		4-4674640	2-445974				4-4621332	
		4-4673143								
13	4667621-22		2-4565200	4-4672948	4-164016				2-4621332	
				6-4674640						
14	4643397-98			14-4640845	4-164016					
				4-4643034						
15	4654247-48			4-4640845						
16	4646945-46			8-4657731						
17	4647354(E)									
18	4646943-44			2-4657731						
19	4647160(E)									
20	521314-15						8-446059		2-521325	
									2-521327	
									2-521328	



CODE	MOLDING NO.	BOLT & CLIP	BOLT	CLIP	SCREW	WASHER	NUT	SPACER	RETAINER	STUD & CLIP
------	-------------	-------------	------	------	-------	--------	-----	--------	----------	-------------

NUMBER PRECEDING ATTACHING PART NUMBER INDICATES QUANTITY REQUIRED PER CAR

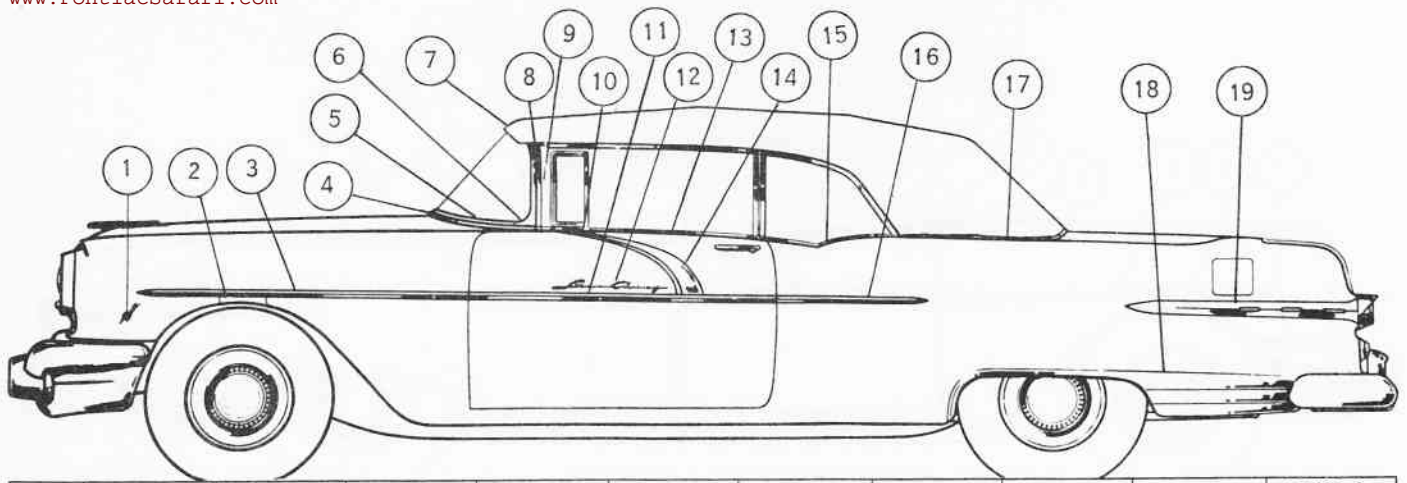
1	522556									4-4615081
2	521468-69				4-444267	4-120391				4-519912
3	521416-17			2-522796						10-446059
4	4654578(E)									10-3700044
5	4646490-91	2-4665343		1-4676693	3-445974					2-4644959
				2-4655478	4-169180					
6	4649993-94				2-#8-32 x 3/8" Flat Hd.					
					2-169180					
7	4646446(E)									
8	4654615-16				2-169180					
9	4648756-57				6-#8-32 x 3/8" Flat Hd.					
10	4648236-37				4-4666209					
11	4686948-49				2-4666209					
12	4667456-57			4-4672948	4-164016					
				12-4687548						
13	521435-36			20-4635016						
14	4649323-24				12-431601					
15	4667959-60	2-4670023		2-4674640	2-445974					4-4621332
		4-4673143								
16	4649928-29				10-145417					
17	4649366-67				10-446869					
18	4667696-97	2-4637277	2-4565200	2-4674640						4-4621332
19	4650064-65				2-431601 2-446869					6-#8-32 "J"
20	4648755					2-#6 Ext.				2-134530
21	4648489			8-4657731						
22	4648254-55			14-4657731						
23	4647160(E)									
24	521310-11			4-4674640						20-446059
										14-519656
										8-519652
										4-4621332
										2-519653
										2-519654
										2-519655
25	521314-15									8-446059
										2-521325
										2-521327
										2-521328



CODE	MOLDING NO.	BOLT & CLIP	BOLT	CLIP	SCREW	WASHER	NUT	SPACER	RETAINER	STUD & CLIP
------	-------------	-------------	------	------	-------	--------	-----	--------	----------	-------------

NUMBER PRECEDING ATTACHING PART NUMBER INDICATES QUANTITY REQUIRED PER CAR

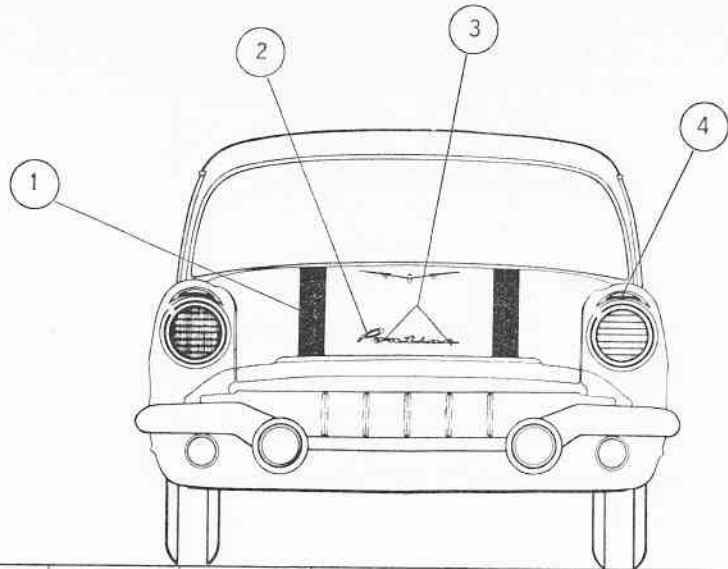
1	522556						4-4615081			
2	521468-69				4-444267	4-120391	4-519912			
3	521416-17			2-522796			10-446059		10-3700044	
4	4654578(E)									
5	4646490-91	2-4665343		1-4676693	3-445974		2-4644959			
				2-4655478	4-169180					
6	4649993-94				2-#8-32 x 3/8" Flat Hd.					
					2-169180					
7	4646446(E)									
8	4654615-16				2-169180					
9	4671716-17				6-#8-32 x 3/8" Flat Hd.					
10	4680027-28				4-4666209					
11	4669779-80				2-4666209					
12	4667454			10-4667548	4-164016					
				4-4672948						
13	521435-36			20-4635016						
14	4667959-60	2-4670023		2-4674640	2-445974		4-4621332			
		4-4673143								
15	4669781-82				8-431601					
16	4667621-22		2-4565200	2-4672958	4-164016		2-4621332			2-4674215
				2-4672948						
				6-4674640						
17	4671323-24				12-#8-15 x 5/16" Pan Hd.					
18	4669898-99				12-431601					
19	4671740-41				2-#8-15 x 5/16" Pan Hd.					
20	4671357			12-4657731	2-#8-15 x 5/16" Pan Hd.					
21	4670930-31			12-4657731						
22	4671619(E)									
23	521310-11						20-446059	14-5I9656	8-519652	
									2-519653	
									2-519654	
									2-519655	
24	521314-15						8-446059		2-521325	
									2-521327	
									2-521328	



CODE	MOLDING NO.	BOLT & CLIP	BOLT	CLIP	SCREW	WASHER	NUT	SPACER	RETAINER	STUD & CLIP
------	-------------	-------------	------	------	-------	--------	-----	--------	----------	-------------

NUMBER PRECEDING ATTACHING PART NUMBER INDICATES QUANTITY REQUIRED PER CAR

1	522556									4-4615081
2	521468-69				4-444267	4-120391	4-519912			
3	521416-17			2-522796			10-446059		10-3702854	
4	4654578(E)									
5	4646490-91	2-4665343		1-4676693	3-445974		2-4644959			
				2-4655478	4-169180					
6	4648764-65				4-#8-32 x 3/8" Flat Hd.					
7	4648250				2-#8-32 x 3/8" Flat Hd.					
8	4649393-94				6-#8-32 x 3/8" Flat Hd.					
9	4680027-28				4-4666209					
10	4686948-49				2-4666209					
11	4667456-57			4-4672948	4-164016					
				12-4667548						
12	521435-36			20-4635016						
13	4649323-24				12-431601					
14	4667959-60	2-4670023		2-4674640	2-445974		4-4621332			
		4-4673143								
15	4649064-65				8-4662875					
16	4667696-97	2-4637277	2-4565200	4-4674640			4-4621332			
17	4649652-53			18-4654206	1-4662875					
18	521310-11			4-4674640			20-446059	14-519656	8-519652	
							2-4621332		2-519653	
									2-519654	
									2-519655	
19	521314-15						8-446059		2-521325	
									2-521327	
									2-521328	

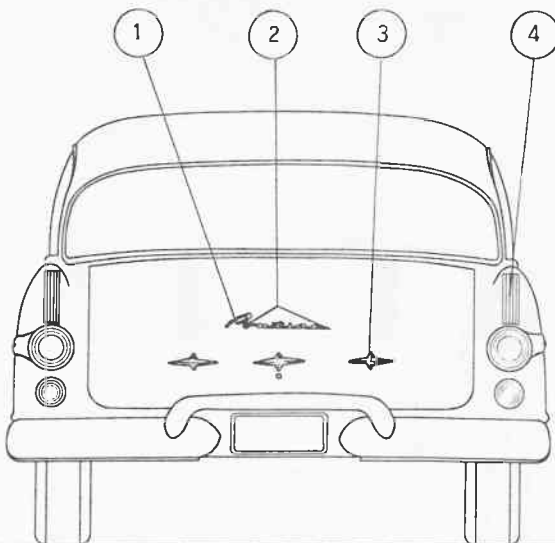


CODE	MOLDING NO.	BOLT & CLIP	BOLT	CLIP	SCREW	WASHER	NUT	SPACER	RETAINER	STUD & CLIP
------	-------------	-------------	------	------	-------	--------	-----	--------	----------	-------------

NUMBER PRECEDING ATTACHING PART NUMBER INDICATES QUANTITY REQUIRED PER CAR

CODE	MOLDING NO.	BOLT & CLIP	BOLT	CLIP	SCREW	WASHER	NUT	SPACER	RETAINER	STUD & CLIP
1	522073-74		14-522109				14-446059			
2	521413			2-520414		1-521863	2-446059			
3	521411			2-520414		1-521863	2-446059			
4	521786						2-446059			



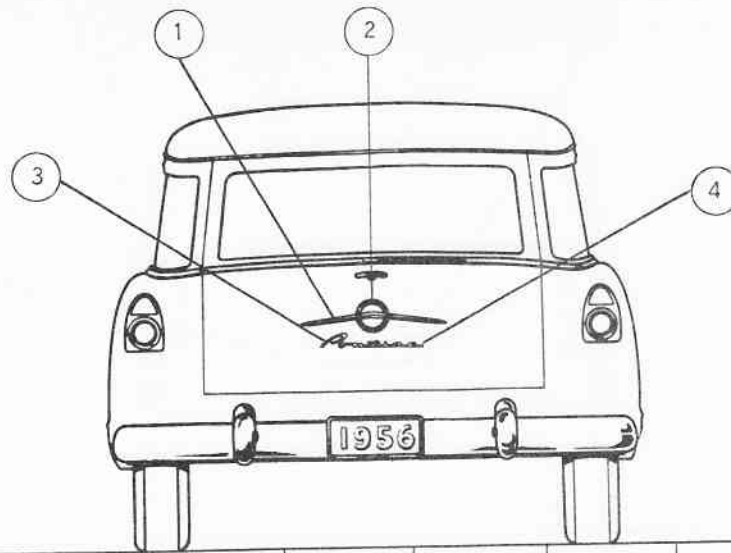


CODE	MOLDING NO.	BOLT & CLIP	BOLT	CLIP	SCREW	WASHER	NUT	SPACER	RETAINER	STUD & CLIP
------	-------------	-------------	------	------	-------	--------	-----	--------	----------	-------------

NUMBER PRECEDING ATTACHING PART NUMBER INDICATES QUANTITY REQUIRED PER CAR

1	521413			2-520414						
2	521412			4-520414						
3	3-521255						6-523895			
4	522513					4-519267 4-519673 4-1/4" Ext. Lock	4-120361			

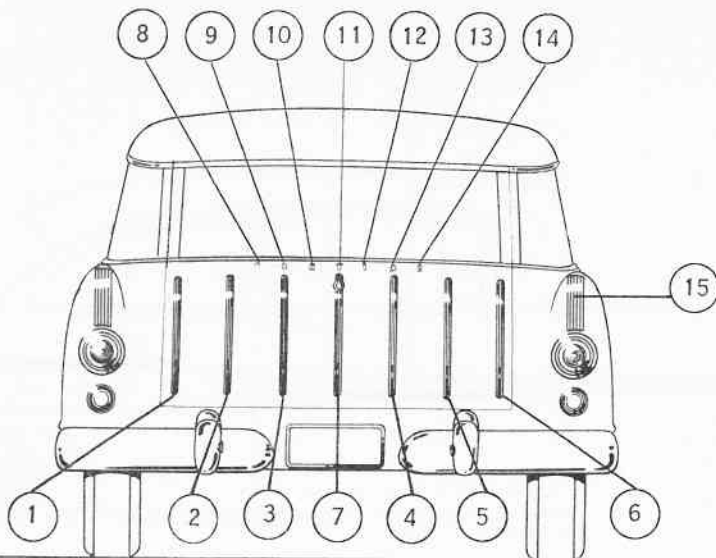




CODE	MOLDING NO.	BOLT & CLIP	BOLT	CLIP	SCREW	WASHER	NUT	SPACER	RETAINER	STUD & CLIP
------	-------------	-------------	------	------	-------	--------	-----	--------	----------	-------------

NUMBER PRECEDING ATTACHING PART NUMBER INDICATES QUANTITY REQUIRED PER CAR

1	521307						4-523895			
2	521306						2-273365			
3	521413			2-520414						
4	521412			4-520414						



CODE	MOLDING NO.	BOLT & CLIP	BOLT	CLIP	SCREW	WASHER	NUT	SPACER	RETAINER	STUD & CLIP
------	-------------	-------------	------	------	-------	--------	-----	--------	----------	-------------

NUMBER PRECEDING ATTACHING PART NUMBER INDICATES QUANTITY REQUIRED PER CAR

1-6	4658499			30-4595034						
7	4671779			3-4595034						
8	520774			2-4635016						
9	520775			2-4635016						
10	520776			2-4635016						
11	520777			2-4635016						
12	520778			2-4635016						
13	520779			2-4635016						
14	520780			2-4635016						
15	522513					4-519267 4-519673 4-1/4" Ext. Lock	4-120361			